

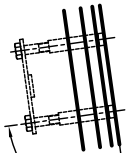
ALTERNATIVE END PANEL.
(WITHOUT OVERHANG.)

TYPICAL ELEVATION ON PARAPET.

POSTS TO BE AT THE HIGH POINT OF ANY RAKING / SLOPING PANELS.

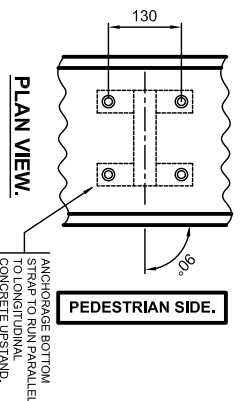
THE CONCRETE PLINTH IS TO BE DESIGNED BY OTHERS TO RESIST WITHOUT DAMAGE THE FORCES TRANSMITTED BY THE PARAPET UNDER LOAD.

ANCHORAGES TO BE ALIGNED PERPENDICULAR TO THE LONGITUDINAL ALIGNMENT OF THE CONCRETE PLINTH.



FRONT VIEW.

SECTION THROUGH PLINTH.



ANCHORAGE DETAILS.

APPROVED ANCHORAGE UNITS

| | |
|--|----------|
| DRAWING NUMBER | VGAS/11. |
| OR OTHER APPROPRIATELY APPROVED CAST-IN OR DRILLED ANCHORAGE SYSTEM. | |

GENERAL NOTES.

- 1/ ALL STEEL WELDING TO BE IN ACCORDANCE WITH BS.EN.1011-1 and 2. WELDERS AND WELDING PROCEDURES ARE IN ACCORDANCE WITH BS.EN.ISO.9606-1 AND BS.ENISO.15607.
- 2/ PANELS CANNOT BE RADIUSED TO SUIT ON SITE. TIGHTER RADIUS CAN BE SUPPLIED PERFORMED BY SPECIAL ARRANGEMENT.
- 3/ AN EASILY LEGIBLE IDENTIFICATION PLATE SHALL BE APPLIED AND LOCATED NEAR TO THE TOP OF THE FIRST POST AT EACH APPROACH END IN AN EASILY VISIBLE POSITION.
- 4/ DIMENSIONS RELATIVE TO HEIGHT DATUM ASSUME THERE IS NO LONGITUDINAL FALL ON THE PLINTH. ADDITIONAL TOLERANCES TO TAKE ACCOUNT OF THESE FALLS ARE PERMISSIBLE.

MATERIAL SPECIFICATION.

| ITEM | SPECIFICATION | ITEM | SPECIFICATION |
|-------------------|--|---|--|
| TOP RAIL. | TOP RAIL, INTER RAIL S AND POSTS IN ACCORDANCE WITH BS.EN.10219-1 AND BS.EN.10219-2 GRADE S275J2H, BASEPLATE, INFILLS AND JOINTS IN ACCORDANCE WITH BS.EN.10025-1 AND BS.EN.10025-2 GRADE S275J2O. | ALL BOLTS / SETSCREWS TO CONFORM TO BS.3692 AND BE STAINLESS STEEL TO BS.EN.ISO.3506-1 GRADE A4/80. | STAINLESS STEEL WASHERS TO BE M12 FORM 'C' CONFORMING TO BS.4320 AND TO BS.EN.ISO.3506 GRADE A4 OR A2. GALVANISED STEEL WASHERS TO BE M12 FORM 'G' CONFORMING TO BS.4320 AND NYLON TOP HAT WASHER TO BE M12 CONFORMING TO NYLON 66 OR SIMILAR. |
| TOP JOINT. | | | |
| POST SECTION. | | | |
| INTER RAIL JOINT. | | | |
| INTER RAIL. | | | |
| BASEPLATE. | | | |
| INFILLS. | | | |

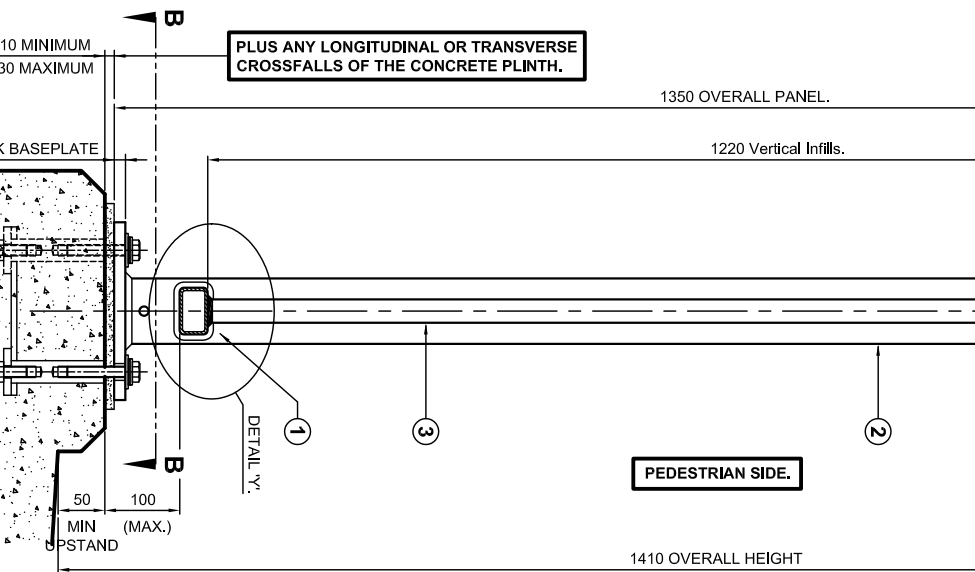
PEDESTRIAN PARAPET INFORMATION

| | |
|--|---------|
| UNFACTORED MOMENT OF RESISTANCE OF POST (kNm) AT UNDERSIDE OF BASEPLATE. | 6.22kNm |
| SHEAR FORCE RESISTANCE OF POST (kN) | 75.77kN |
| SIZE OF HOLDING DOWN BOLTS | M12 |

PEDESTRIAN GUARDRAIL PERFORMANCE.

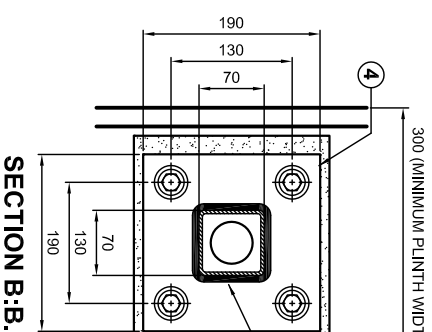
| | |
|---------------------------------|------------|
| Eurocode 3 BS. EN.1993-1-1:2005 | CLASS 'D'. |
| INFiLL. | CLASS '1' |
| POST AND RAIL. | CLASS '3'. |
| INFiLL. | CLASS 'C'. |

SECTION A-A.

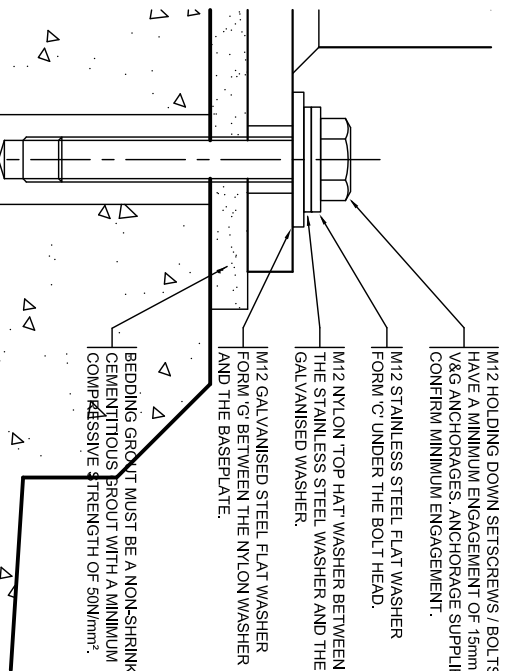


SECTION A-A.

SECTION B-B.



ENLARGED VIEW ON HOLDING DOWN BOLT ARRANGEMENT.



- M12 HOLDING DOWN SETSCREWS / BOLTS TO HAVE A MINIMUM ENGAGEMENT OF 15mm WITH V&G ANCHORAGES. ANCHORAGE SUPPLIER TO CONFIRM MINIMUM ENGAGEMENT.
- M12 STAINLESS STEEL FLAT WASHER FORM 'C' UNDER THE BOLT HEAD.
- M12 NYLON TOP HAT WASHER BETWEEN THE STAINLESS STEEL WASHER AND THE GALVANISED WASHER.
- M12 GALVANISED STEEL FLAT WASHER FORM 'G' BETWEEN THE NYLON WASHER AND THE BASEPLATE.
- BEDDING GROUT MUST BE A NON-SHRINK CEMENTITIOUS PORTLAND CEMENT WITH A MINIMUM COMPRESSIVE STRENGTH OF 50N/mm².

| | | | |
|---|---|-----------------------|------------|
| TITLE | STANDARD ARRANGEMENT DRAWINGS OF STEEL PEDESTRIAN PARAPET SYSTEM - 1400mm HIGH. | DRAWING NUMBER | VGSP - 07. |
| <p>Alfred Street, Sparkbrook, Birmingham B12 8JR Tel: 44 (0) 121 773 2441 Fax: 44 (0) 121 766 6875 Website: www.v-and-g.co.uk</p> | | | |
| SCALE | P.G.H. | DATE | 12/11/2014 |
| DRN | P.G.H. | CHK | D.V.C. |
| SECTION SCHEDULE | | | |
| 1 | TOP AND INTERMEDIATE RAIL SECTION. | | |
| 2 | POST SECTION. | | |
| 3 | VERTICAL INFILL SECTION. | | |
| 4 | BASEPLATE SECTION. | | |
| <p>W/O No. THIS DRAWING TO BE USED ONLY WITH DRAWING TO BE RETURNED TO DRAWING OFFICE ON COMPLETION OF WORK</p> | | | |
| <p>NOTE: ALL ACCUMULATIVE TOLERANCES ARE TO BE CONTAINED WITHIN THE OVERALL TOLERANCE.</p> | | | |
| <p>WILL VARY TO SUIT SITE CONDITIONS.</p> | | | |
| <p>ALL STANDARDS QUOTED ARE DEEMED CURRENT AT THE DATE THE DRAWING IS ISSUED FOR APPROVAL, UNLESS OTHERWISE STATED.</p> | | | |
| <p>MANUFACTURING TOLERANCES AS SHOWN UNLESS STATED OTHERWISE.</p> | | | |
| <p>DIMENSIONS: TOLERANCES:</p> | | | |
| <p>GREATER THAN 1000mm. + 2mm</p> | | | |
| <p>LESS THAN 1000mm. + 1mm</p> | | | |
| <p>ANGULAR DIMENSIONS. + 0°15'</p> | | | |
| <p>Rev/ Date By Description</p> | | | |