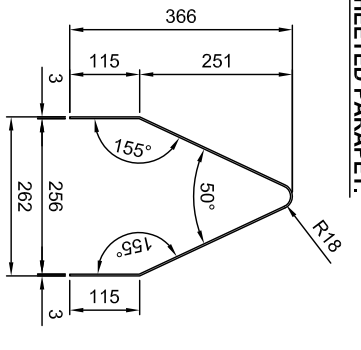
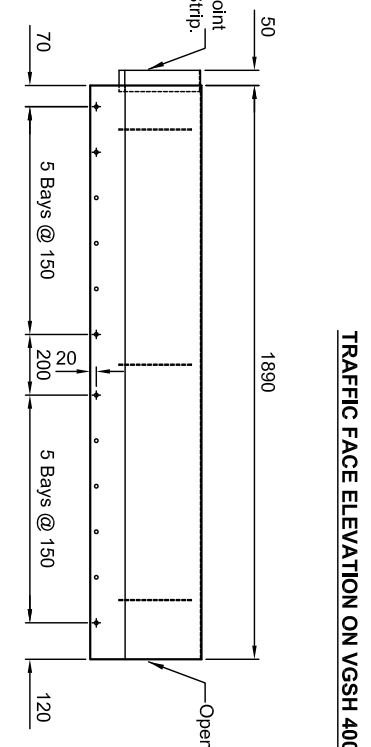


SECTION C-C.
(SHEETING AT JOINT LOCATIONS.)



COPING PROFILE.

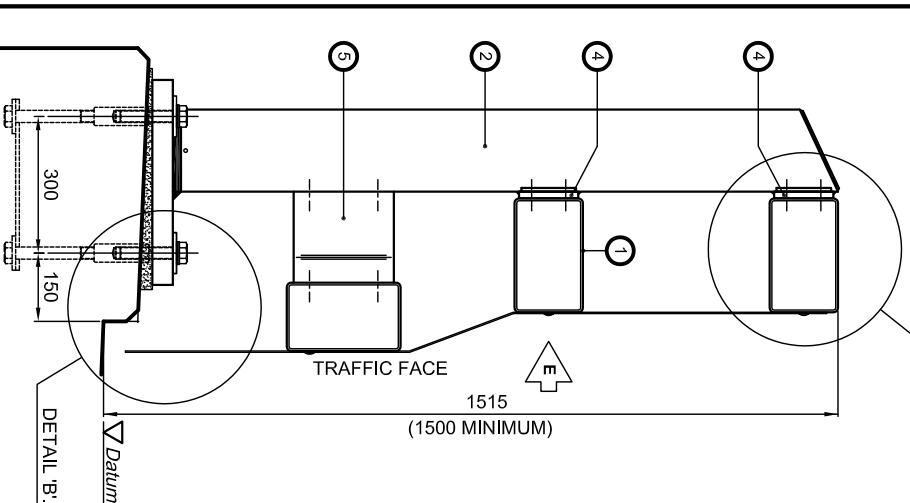
VGSH 4004.



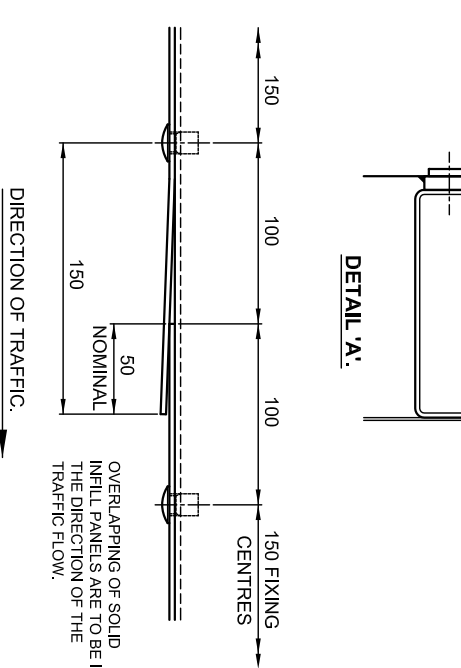
TRAFFIC FACE ELEVATION ON STANDARD COPPING UNIT.

IMPORTANT NOTE.
OVERLAPPING SOLID INFILL SHEETS ARE TO BE FIXED FROM THE DEPARTURE END TOWARDS THE APPROACH END TO ENSURE THE OVERLAP IS IN THE DIRECTION OF TRAFFIC FLOW.

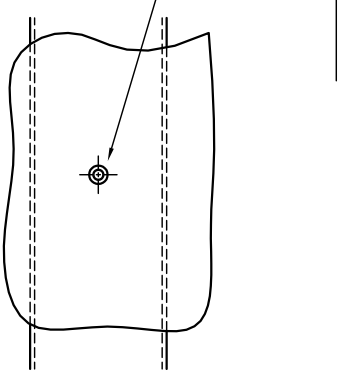
VGSH 4003.



DETAIL A'.

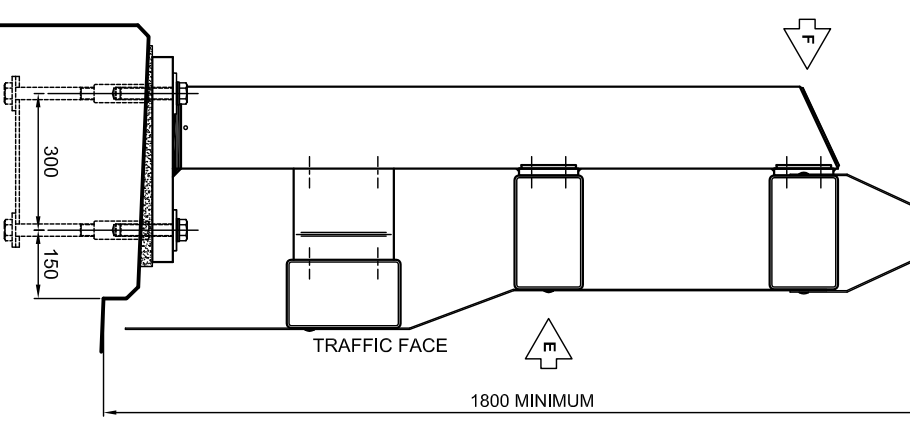


SECTION D-D.

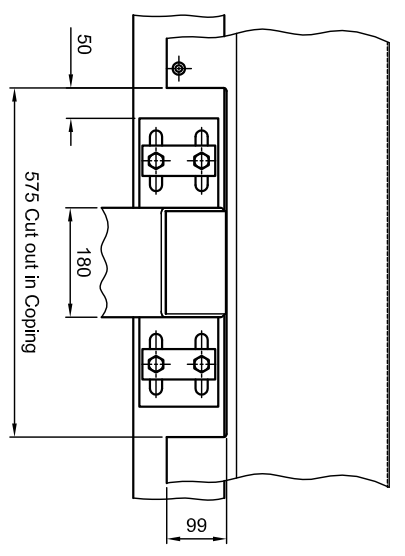


VIEW ON ARROW E'.

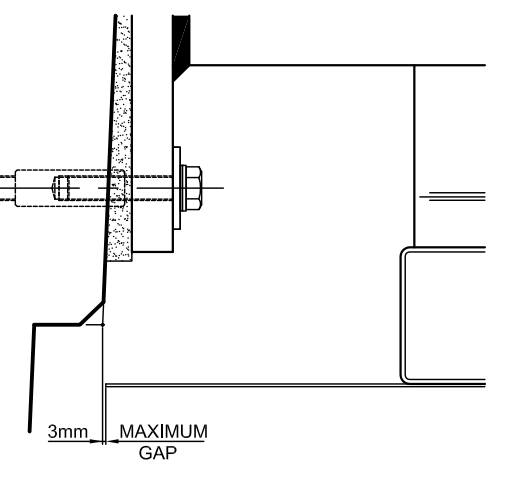
VGSH 4004.



SECTION THROUGH PARAPET.



VIEW ON ARROW F'.



DETAIL B'.

| SECTION SCHEDULE | | MANUFACTURING TOLERANCES. | |
|------------------|------|---------------------------|-------------|
| Rev | Date | By | Description |
| 1 | | | |
| 2 | | | |
| 3 | | | |
| 4 | | | |
| 5 | | | |

| SECTION | DESCRIPTION | TOLERANCES |
|---------|---|------------|
| 1 | RAIL SECTION 200x150x3.0 | ± 2mm |
| 2 | POST SECTION 180x180x6.3 SHS | ± 1mm |
| 3 | BASEPLATE SECTION 490x490x4.5 | ± 0.15° |
| 4 | RAIL CLEAN-UP PLATE 475x190x15 | ± 0.15° |
| 5 | BOTTOM BRACKET TYPE 1, 340x200x 220x6.0mm PLATE | ± 0.15° |

| SCALE | DATE | SCALE | DATE |
|-------|------------|-------|------------|
| 1:1 | 29/06/2012 | 1:1 | 29/06/2012 |

| DRAWN | CHECKED | DATE | DATE |
|--------|---------|------------|------------|
| P.G.H. | D.V.C. | 29/06/2012 | 29/06/2012 |

W/O No. _____

DRAWING TO BE RETURNED TO DRAWING OFFICE ON COMPLETION OF WORK.

Varley and Gulliver Ltd.
Alfred Street, Sparkbrook, Birmingham B12 8JR
Tel: 44 (0) 121 773 2441
Fax: 44 (0) 121 766 6875
Website: www.v-and-g.co.uk

TITLE STANDARD ARRANGEMENT DRAWINGS OF VGSH 4000 SERIES STEEL PARAPET SOLID INFILL SHEETING AND COPING UNITS.

DRAWING NUMBER VGSH 4000 - 08.