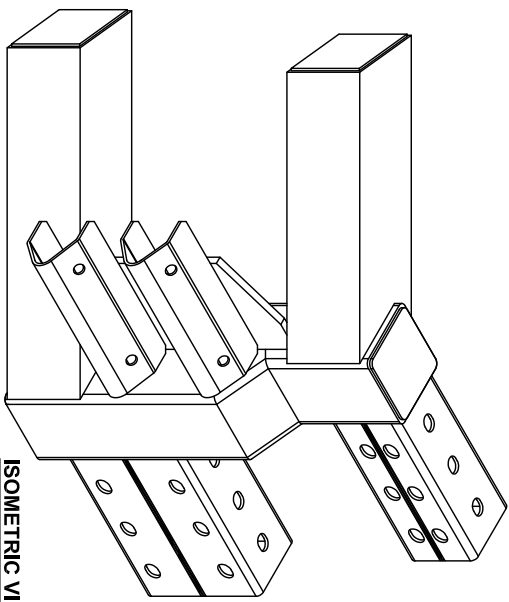
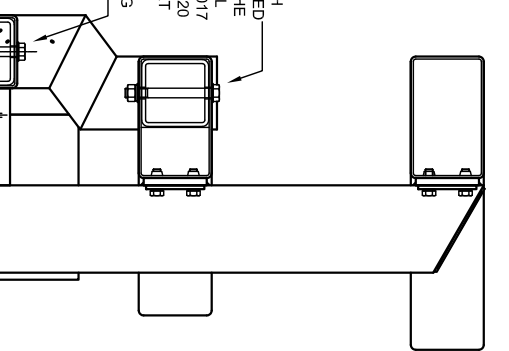
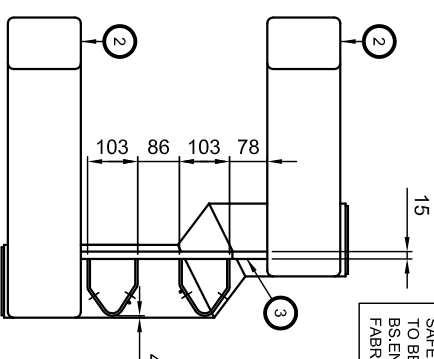


SAFETY FENCE CONNECTOR ATTACHED TO THE VGSB 4000 SERIES STEEL PARAPET SYSTEM WITH 3No. M20x180 LONG HEXAGONAL HEAD GALVANISED STEEL BOLTS TO BS.ENISO.4017 GRADE 8.8 TO THE MIDDLE RAIL AND 3No. M20x280 LONG HEXAGONAL HEAD GALVANISED STEEL BOLTS TO BS.ENISO.4017 GRADE 8.8 TO THE BOTTOM RAIL BOTH c/w 1No. M20 HEXAGONAL NUT GRADE 8 AND 2No. FORM 'F' FLAT WASHERS AND 1No. M20 GALVANISED STEEL SPRING WASHERS TIGHTENED UNTIL THE SPRING WASHERS ARE FLAT.

VIEW ON SECTION A-A.

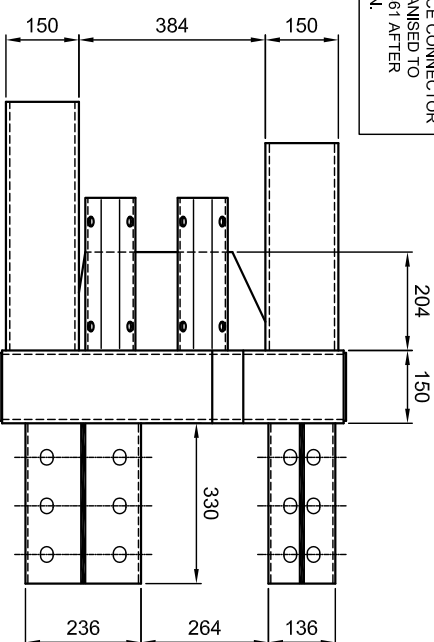


ISOMETRIC VIEW.

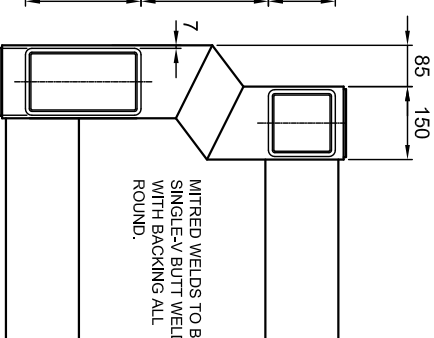


END VIEW.

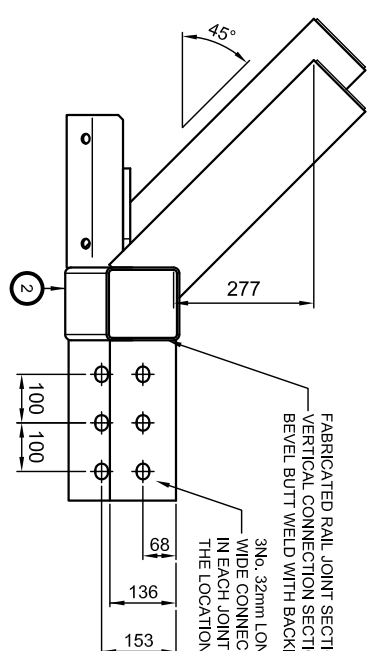
UNLESS OTHERWISE STATED ALL WELD TO BE 5mm FILLET WELDS ALL ROUND WHERE ACCESSIBLE.



ELEVATION.



END VIEW.



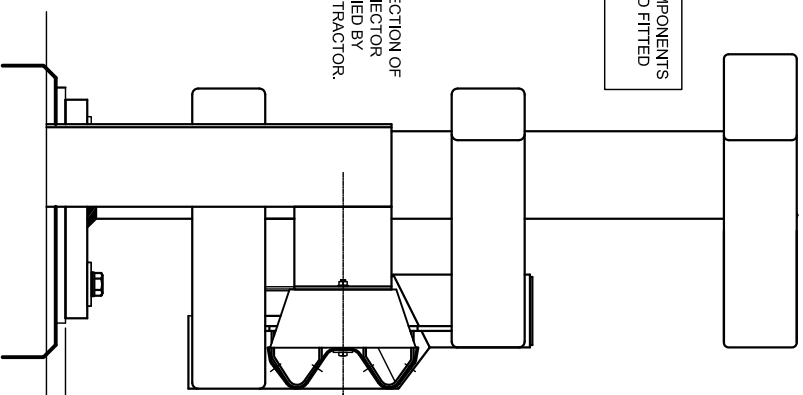
PLAN VIEW.

(APPROACH CONNECTOR SHOWN, DEPARTURE CONNECTOR SIMILAR BUT HANDED.)

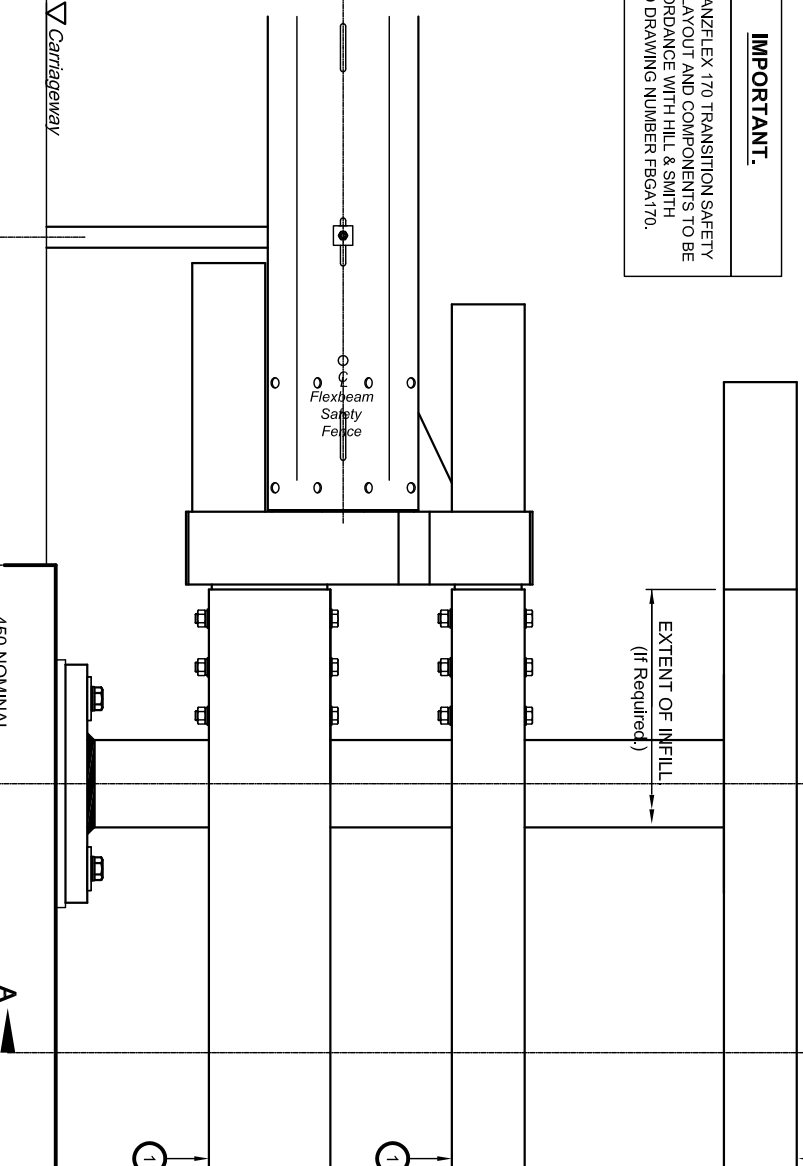
TRANZFLEX 170 COMPONENTS TO BE SUPPLIED AND FITTED BY OTHERS.

IMPORTANT.
THE TRANZFLEX 170 TRANSITION SAFETY FENCE LAYOUT AND COMPONENTS TO BE IN ACCORDANCE WITH HILL & SMITH LIMITED DRAWING NUMBER FBGA170.

EXTENT OF INFILL (If Required)



END ELEVATION OF SAFETY FENCE CONNECTION.



ELEVATION OF SAFETY FENCE CONNECTION.

NOTES:

- 1/1 TO BE READ IN CONJUNCTION WITH HILL & SMITH LIMITED DRAWING NUMBER FBGA170.
- 2/ CONNECTOR TO APPLY TO ANY HEIGHT AND PARAPET TYPE FOR ATTACHMENT TO SINGLE HEIGHT SAFETY FENCE.
- 3/ TRANZFLEX 170 TRANSITION SAFETY FENCE CONNECTION BOLTS, NUTS AND WASHERS TO BE SUPPLIED AS PART OF THE SAFETY FENCE.

*ALTERNATIVE FINISHES: AS A COST OPTION THE PARAPET FINISH IS HOT DIPPED GALVANISED ONLY ALL FINISHES CAN BE STAINLESS STEEL TO BS EN ISO 15018. GRADE A408 SUPPLIED WITH APPROXIMATE NYLON ISOLATION WASHERS.

ALL DIMENSIONS IN MM. VGSB 4000 PARAPET SYSTEMS ARE COVERED BY DESIGN RIGHTS AND PATENT PENDING.

SECTION SCHEDULE	
1	MAIN RAIL SECTION 250x150x50 RNS.
2	VERTICAL CONNECTOR 150x75x98 SHS
3	CONNECTOR BACKING SECTION 384x204x15

SCALE	DATE	29/06/2012
DRN	P.G.H.	CHK. D.V.C.

W/O No. DRAWING TO BE RETURNED TO DRAWING OFFICE ON COMPLETION OF WORK

Varley and Gulliver Ltd.
 Alfred Street, Sparkbrook, Birmingham B12 8JR
 Tel: 44 (0) 121 773 2441
 Fax: 44 (0) 121 766 6875
 Website: www.v-and-g.co.uk

TITLE: STANDARD ARRANGEMENT DRAWINGS OF VGSB 4000 SERIES STEEL PARAPET SYSTEM SAFETY FENCE CONNECTION TO TRANZFLEX 170 TRANSITION SAFETY FENCE.

DRAWING NUMBER: VGSB 4000 - 06.