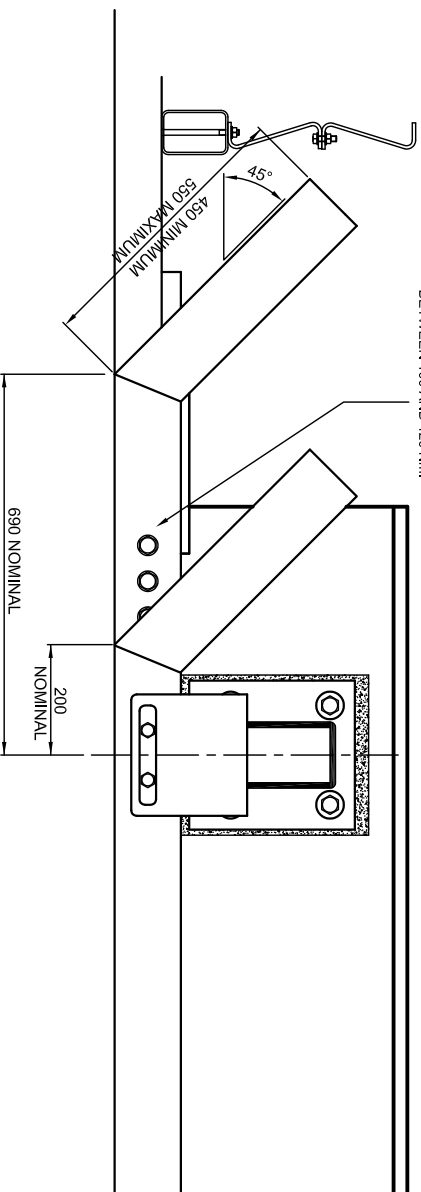


FIXINGS FOR CONNECTION OF FLEXBEAM TO CONNECTOR PLATE TO BE SUPPLIED BY SAFETY FENCE CONTRACTOR.

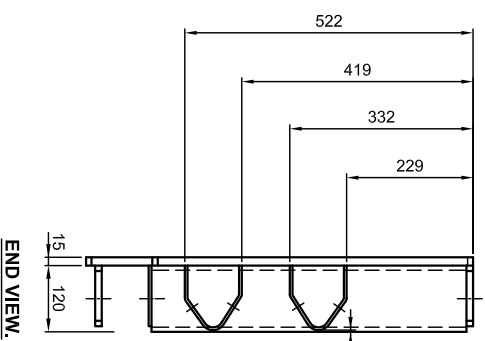
SECTION AA.



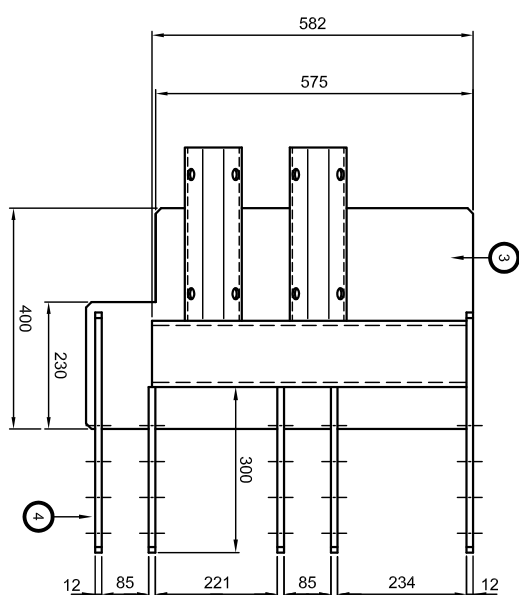
PLAN VIEW ON TOP RAIL.

SAFETY FENCE CONNECTOR ATTACHED TO THE VGSF 2000 SERIES STEEL PARAPET SYSTEM WITH M20X140 LONG HEXAGONAL HEAD GALVANISED STEEL BOLTS TO BS EN ISO 4017 GRADE 8.8 CW 1N. M20 HEXAGONAL NUT GRADE 10 AND 2N. FORM 'E' FLAT WASHERS TIGHTENED TO A TORQUE BETWEEN 100 AND 120 Nm.\*

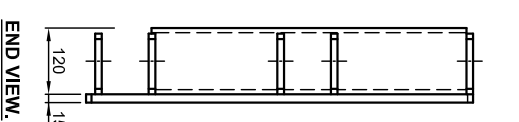
SAFETY FENCE CONNECTOR TO BE GALVANISED TO BS EN ISO 1461 AFTER FABRICATION.



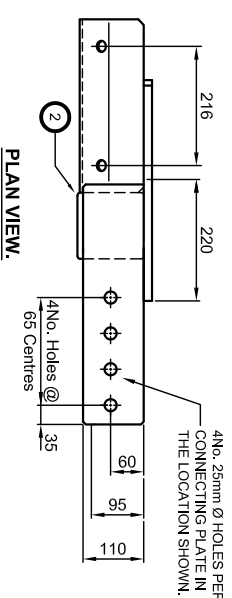
END VIEW.



ELEVATION.



END VIEW.



PLAN VIEW.

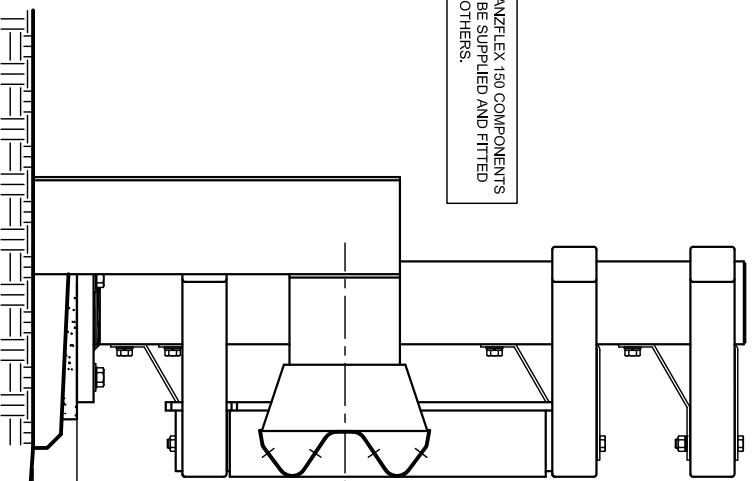
CONNECTING PLATE DETAILS.  
(APPROACH CONNECTOR SHOWN, DEPARTURE CONNECTOR SIMILAR BUT HANDED.)

\* ALTERNATIVE FIXINGS:  
AS A COST OPTION - IF THE PARAPET FINISH IS HOT DIPPED GALVANISED ONLY ALL FIXINGS CAN BE STAINLESS STEEL TO BS EN ISO 3506-1 GRADE A4/80 SUPPLIED WITH APPROPRIATE NYLON ISOLATION WASHERS.

Rev	Date	By	Description
B	Mar 09	dvc	Minor Revisions
A	04/07	dvc	Minor Revisions

MANUFACTURING TOLERANCES:  
TOLERANCES AS SHOWN UNLESS STATED OTHERWISE.  
DIMENSIONS:  
GREATER THAN ± 2mm  
1000mm.  
LESS THAN ± 1mm  
1000mm.  
ANGULAR DIMENSIONS:  
± 0°15'

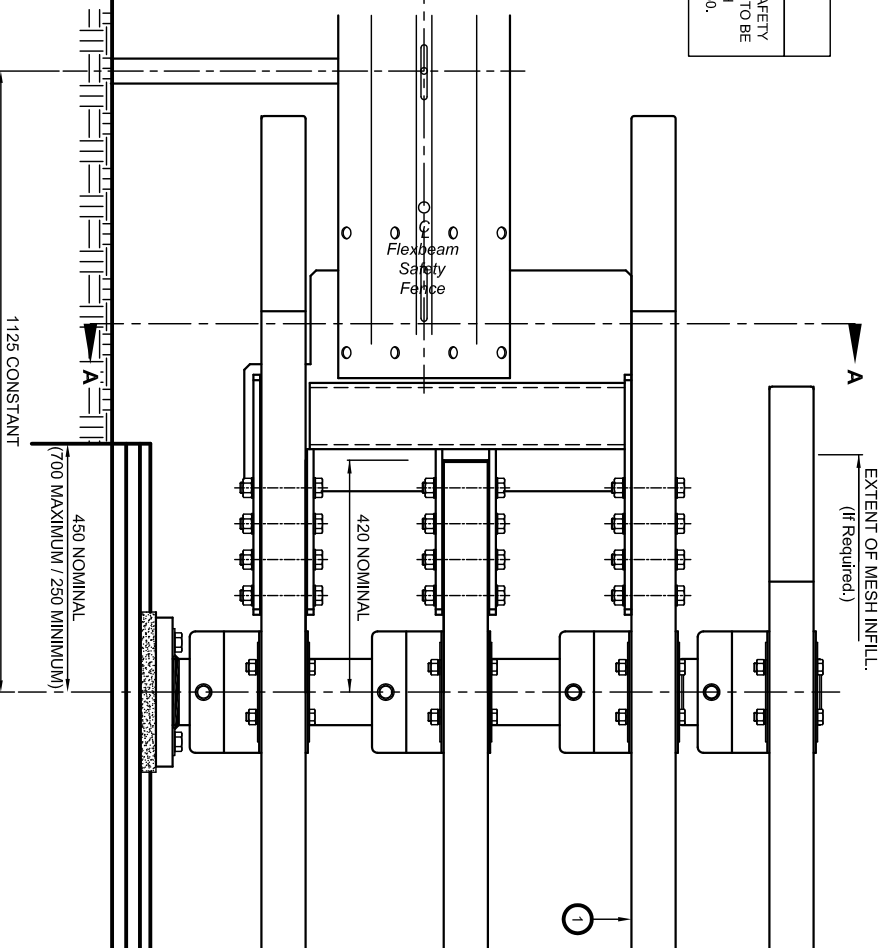
TRANZFLEX 150 COMPONENTS TO BE SUPPLIED AND FITTED BY OTHERS.



ELEVATION OF SAFETY FENCE CONNECTION.

VARIES DEPENDING UPON UPSTAND HEIGHT, PROFILE OF PLINTH AND THICKNESS OF GROUT PAD.

**IMPORTANT.**  
THE TRANZFLEX 150 TRANSITION SAFETY FENCE LAYOUT AND COMPONENTS TO BE LIMITED DRAWING NUMBER FBGA150.



ELEVATION OF SAFETY FENCE CONNECTION.

- NOTES:**
1. TO BE READ IN CONJUNCTION WITH HILL & SMITH LIMITED DRAWING NUMBER FBGA150.
  2. CONNECTOR TO APPLY TO ANY HEIGHT AND PARAPET TYPE FOR ATTACHMENT TO SINGLE HEIGHT SAFETY FENCE.
  3. TRANZFLEX 150 TRANSITION SAFETY FENCE CONNECTION BOLTS, NUTS AND WASHERS TO BE SUPPLIED AS PART OF THE SAFETY FENCE.

SECTION SCHEDULE		DATE	
1	RAIL SECTION 120x60x4x15 RNS	29/01/2007	D.V.C.
2	VERTICAL CONNECTOR SECTION 120x120x10 RNS		
3	CONNECTOR BACKING PLATE SECTION 40x4x15		
4	TOP AND BOTTOM CONNECTING PLATES 110x12 FLAT		

W/O No. DRAWING TO BE RETURNED TO DRAWING OFFICE ON COMPLETION OF WORK

**Varley and Gulliver Ltd.**  
Alfred Street, Sparkbrook, Birmingham B12 8JR  
Tel: 44 (0) 121 773 2441  
Fax: 44 (0) 121 766 6875  
Website: www.v-and-g.co.uk

TITLE: STANDARD ARRANGEMENT DRAWINGS OF VGSF 2000 SERIES STEEL PARAPET SYSTEM CONNECTION TO TRANZFLEX 150 TRANSITION SAFETY FENCE.

DRAWING NUMBER: VGSF 2000 - 11.B.