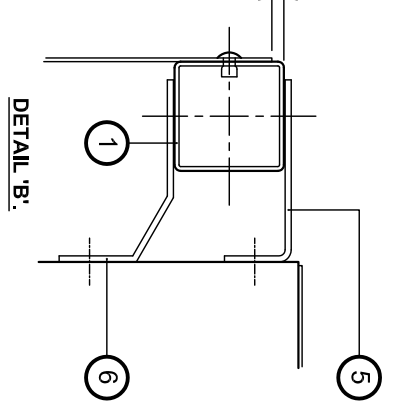
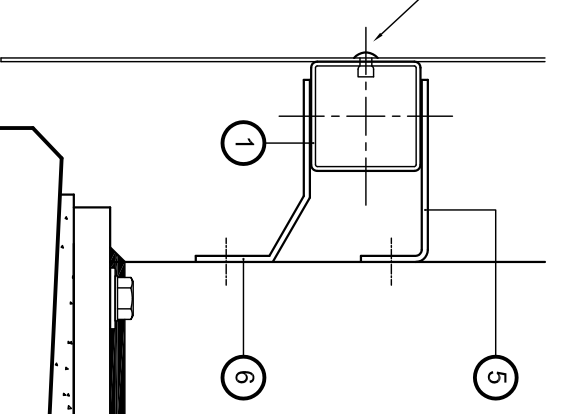


TYPICAL REAR ELEVATION OF PARAPET.

TOP OF SHEET TO BE SET A NOMINAL 10mm DOWN FROM THE TOP OF THE RAIL.



3.0mm THICK SOLID INFILL SHEETS TO BE PRE-DRILLED WITH 8mm DIAMETER HOLES PRIOR TO GALVANISING FOR FIXING TO RAILS WITH 6.35mm DIAMETER MAGNALOK STAINLESS STEEL MONOBOLTS ref: MGL-P-U-B-6 OR EQUIVALENT. RAIL TO BE DRILLED TO SUIT ON SITE. (6.5mm MINIMUM / 7.0mm MAXIMUM.)



- NOTES:**
- FOR DETAILS OF PARAPETS REFER TO DRAWING NUMBER VGSB 2000-01; VGSB 2000-02 AND VGSB 2000-03.
 - THE POSITION AND EXTENT OF ANTI-ACCESS PANELS SHALL BE IN ACCORDANCE WITH THE ROAD AUTHORITIES REQUIREMENTS.
 - ANTI-ACCESS SHEET TO BE 3.0mm THICK STEEL GRADE S275 HOT DIPPED GALVANISED TO BS EN ISO 1461. ADDITIONAL FINISHES TO PRODUCE A NON-REFLECTIVE SURFACE CAN BE PROVIDED.

WHEN VERTICAL CURVES ARE ENCOUNTERED THE MAXIMUM ALLOWABLE GAP BETWEEN INFILL SHEETS SHALL BE 3.0mm.

PANEL LENGTHS TO SUIT POST AND JOINT CENTRES AND AVAILABLE SHEET SIZES.

3mm THICK ANTI-ACCESS PANELS ARE TO BE CUT TO SIZE, DRILLED AND BENT PRIOR TO GALVANISING AND DELIVERY TO SITE.

SECTION SCHEDULE		Rev	Date	By	Description
1	RAIL SECTION 90x80x3.6 RHS.				
2	RAIL SECTION 120x80x4.0 RHS				
3	POST SECTION 150x100x5 RHS				
4	BASEPLATE 300x270x30				
5	RAIL CLEAT TYPE 1, 4.0mm FLAT				
6	RAIL CLEAT TYPE 2, 4.0mm FLAT				
7	RAIL CLEAT TYPE 3, 4.0mm FLAT				
8	RAIL CLEAT TYPE 4, 4.0mm FLAT				

SCALE: 1:10

DATE: 29/01/2007

DRN: P.G.H. CHK: D.V.C.

Varley and Gulliver Ltd.
 Alfred Street, Sparkbrook, Birmingham B12 8JR
 Tel: 44 (0) 121 773 2441
 Fax: 44 (0) 121 766 6875
 Website: www.v-and-g.co.uk

TITLE: STANDARD ARRANGEMENT DRAWINGS OF VGSB 2000 SERIES STEEL PARAPET SYSTEM. ANTI-ACCESS PANEL DETAIL S.

DRAWING NUMBER: VGSB 2000 - 09.