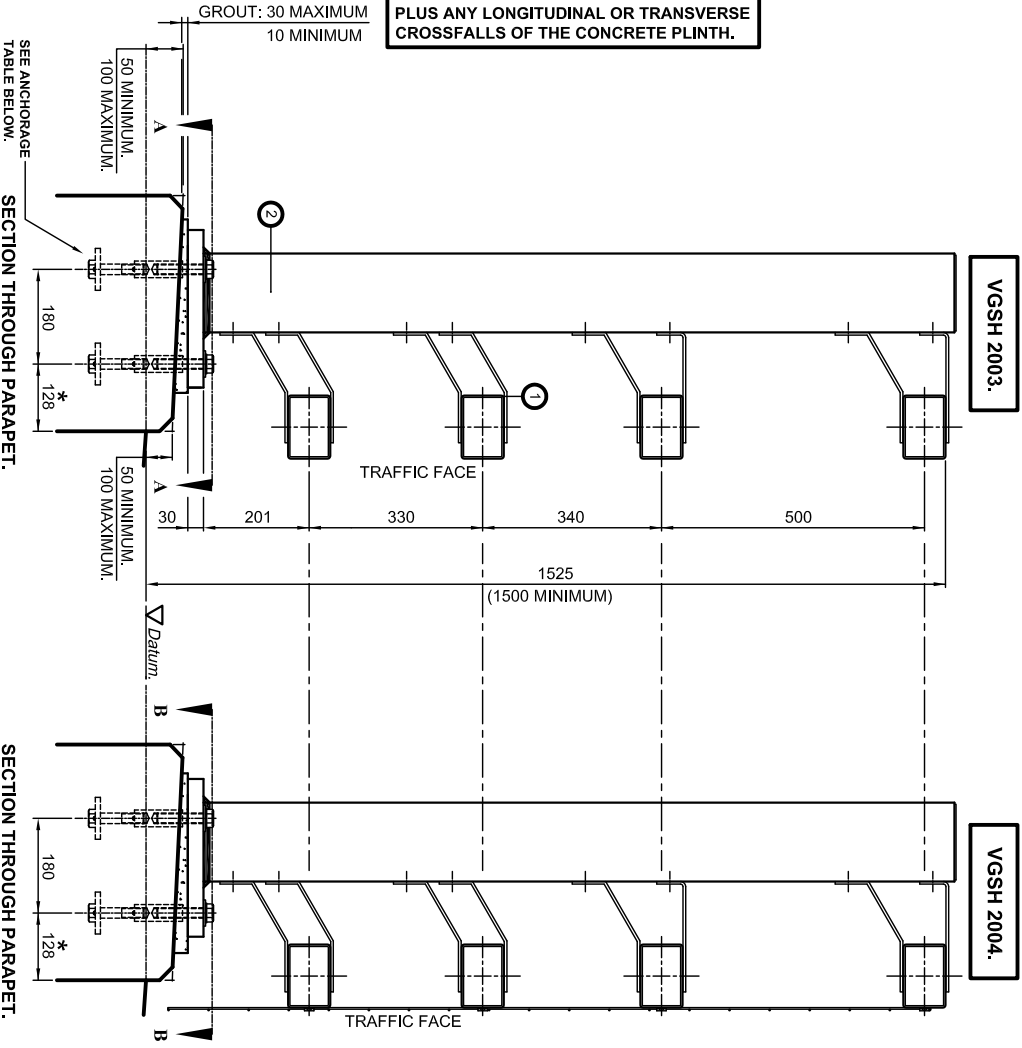


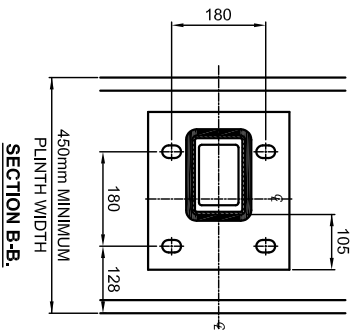
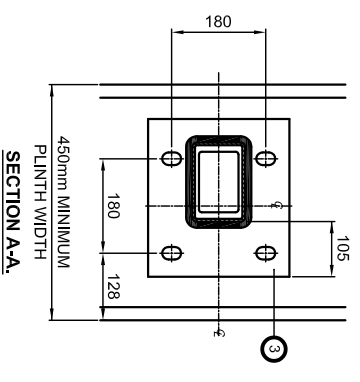
PLUS ANY LONGITUDINAL OR TRANSVERSE CROSSFALLS OF THE CONCRETE PLINTH.

GROUT: 30 MAXIMUM  
10 MINIMUM

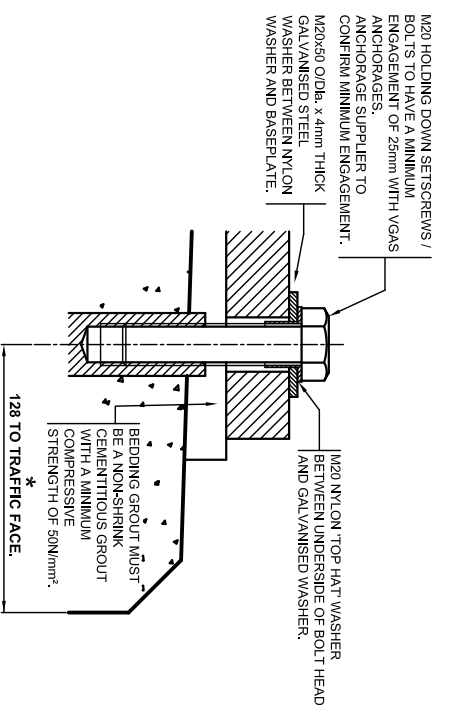


VGSH 2003.

VGSH 2004.

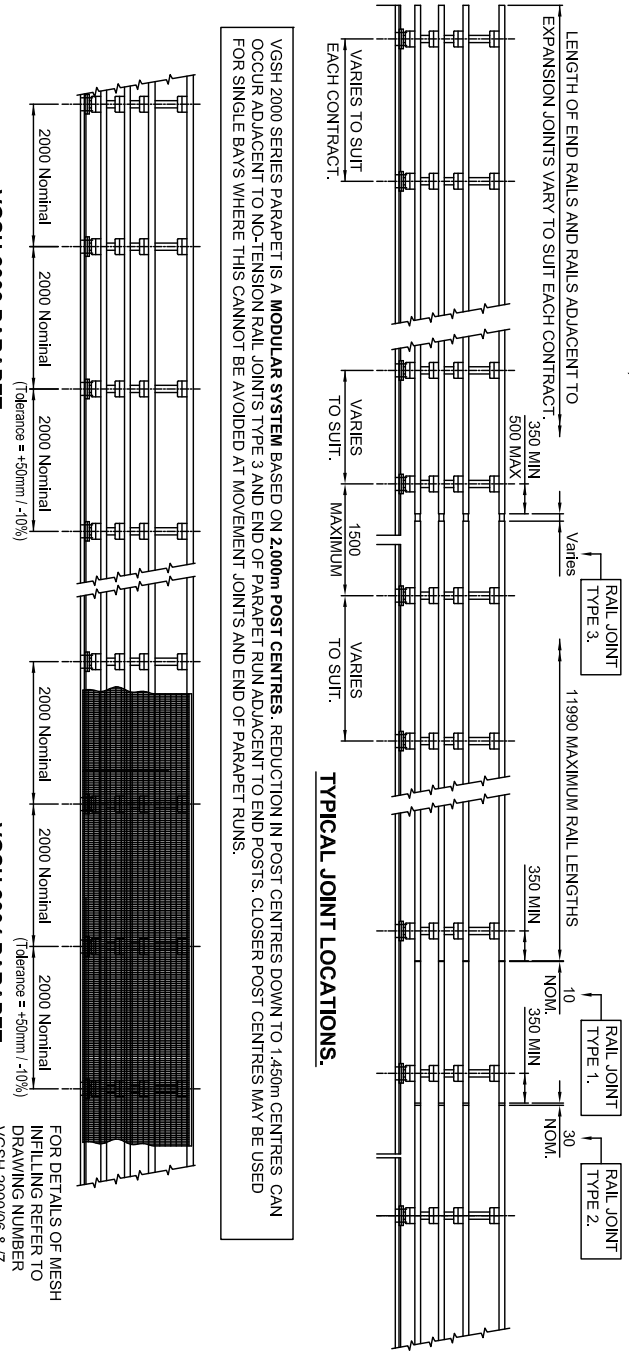
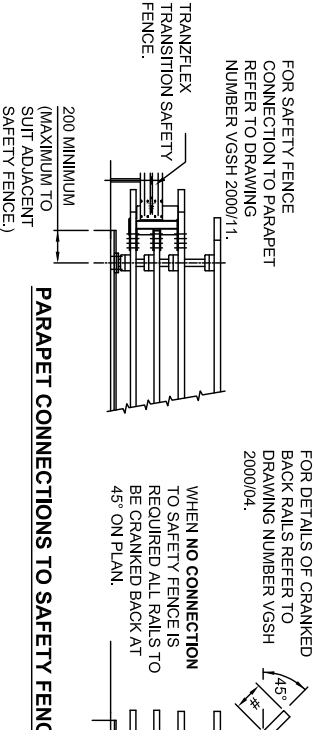


REFER TO DRAWING NUMBER VGSH 2000/05 FOR ALTERNATIVE MESH RAIL ATTACHMENT DETAIL.



VGSH 2000 SERIES POST INFORMATION	
UNFACTORED MOMENT OF RESISTANCE OF POST (kNm) AT UNDERSIDE OF BASEPLATE.	42.245
ULTIMATE SHEAR FORCE RESISTANCE OF POST (kN)	307.44
SIZE OF HOLDING DOWN BOLTS	M20

APPROVED ANCHORAGE UNITS	
DRAWING NUMBER	
VGAS1.	
VGAS2.	
VGAS3.	
OR OTHER APPROPRIATELY APPROVED CAST-IN OR DRILLED ANCHORAGE SYSTEM.	



VGSH 2003 PARAPET.

VGSH 2004 PARAPET.

**GENERAL NOTES.**

1/ ALL STEEL WELDING TO BE IN ACCORDANCE WITH BS EN 10111-1 AND BS EN 10112-2.

2/ WELDERS AND WELDING PROCEDURES ARE IN ACCORDANCE WITH BS EN 287-1 AND BS EN ISO 15607 RESPECTIVELY.

3/ MAIN RAILS CAN BE RADIUSED TO SUIT ON SITE DOWN TO MINIMUM RADIUS OF 75 METRES. TIGHTER RADIUS CAN BE SUPPLIED PERFORMED BY SPECIAL ARRANGEMENT.

4/ DIMENSIONS RELATIVE TO HEIGHT DATUM ASSUME THERE IS NO LONGITUDINAL FALL ON THE PLINTH, ADDITIONAL TOLERANCES TO TAKE ACCOUNT OF THESE FALLS ARE PERMISSIBLE.

5/ AN EASILY LEGIBLE IDENTIFICATION PLATE SHALL BE APPLIED AND LOCATED NEAR TO THE TOP OF THE FIRST POST AT EACH APPROACH END IN AN EASILY VISIBLE POSITION.

MATERIAL SPECIFICATION.		
ITEM	SPECIFICATION	SPECIFICATION
MAIN RAILS.	ALL STEEL SECTIONS ARE TO BE IN ACCORDANCE WITH BS EN 10025-1, BS EN 10025-2, BS EN 10210-1, BS EN 10210-2, BS EN 10219-1, BS EN 10219-2, RAILS TO BE GALVANNEED STEEL TO CONFORM TO BS 3692 AND BS EN ISO 4032 GRADE 8.	HOLDING DOWN SETPIPS TO CONFORM TO BS 3692 AND BE STAINLESS STEEL TO BS EN ISO 3506-1 GRADE A480. ALL OTHER BOLTS, SETPIPS TO BE GALVANNEED STEEL TO CONFORM TO BS 3692 AND BS EN ISO 4032 GRADE 8.
RAIL JOINTS.	POST SECTIONS.	NUTS.
BASEPLATE.	POST SECTIONS TO BE GRADE S275/J2H, RAILS TO BE GRADE S275/J2H, GALVANNEED PLAIN WASHERS TO BE 10x45x5x1.5mm THICK AND M4x10mm NYLON CONFORMING TO BS 4290. GALVANNEED SPRING WASHERS TO BE TYPE A TO BS 4464.	WASHERS.
CLEAT TYPE 1.	CLEAT TYPE 2.	

LIST OF ADDITIONAL REFERENCE DRAWING FOR THE VGSH 2000 PARAPETS

DRAWING NUMBER	TITLE
VGSH 2000 / 04.	RAIL CONNECTION DETAILS (120x80 RAILS)
VGSH 2000 / 05.	PARAPET POST DETAILS.
VGSH 2000 / 06.	MESHING DETAILS OPTION 1.
VGSH 2000 / 07.	MESHING DETAILS OPTION 2.
VGSH 2000 / 08.	SHEETING DETAILS.
VGSH 2000 / 09.	ANTI-ACCESS PANNELLING.
VGSH 2000 / 11.	TRANZFLEX CONNECTOR DETAILS.

VGSH 2000 SERIES PARAPET PERFORMANCE.

BS EN 1317-1 and BS EN 1317-2.	IMPACT TEST CRITERIA.	TS11 and TS51.
	CONTAINMENT LEVEL.	H2.
	WORKING WIDTH.	W3. (1.0m)
	IMPACT SEVERITY LEVEL.	B.
	DYNAMIC DEFLECTION.	0.6m.

SECTION	SECTION SCHEDULE	WILL VARY TO SUIT SITE CONDITIONS.
1	RAIL SECTION 120x80x4x9 RHS	ALL STANDARDS QUOTED ARE DEEMED CURRENT AT THE DATE THE DRAWING IS ISSUED FOR APPROVAL, UNLESS OTHERWISE STATED.
2	POST SECTION 150x710x5x10 RHS	THIS DRAWING TO BE USED ONLY WITH W/O No. [ ]
3	BASEPLATE SECTION 300x270x40	DRAWING TO BE RETURNED TO DRAWING OFFICE ON COMPLETION OF WORK.
4	RAIL CLEAT TYPE 3 - 40mm FLAT	
5	RAIL CLEAT TYPE 4 - 40mm FLAT	

**Varley and Gulliver Ltd.**  
Alfred Street, Sparkbrook, Birmingham B12 8JR  
Tel: 44 (0) 121 773 2441  
Fax: 44 (0) 121 766 6875  
Website: www.v-and-g.co.uk

TITLE: STANDARD ARRANGEMENT DRAWINGS OF VGSH 2000 SERIES STEEL PARAPET SYSTEM.  
VGSH 2003 and VGSH 2004.

DRAWING NUMBER: VGSH 2000 - 02.C.