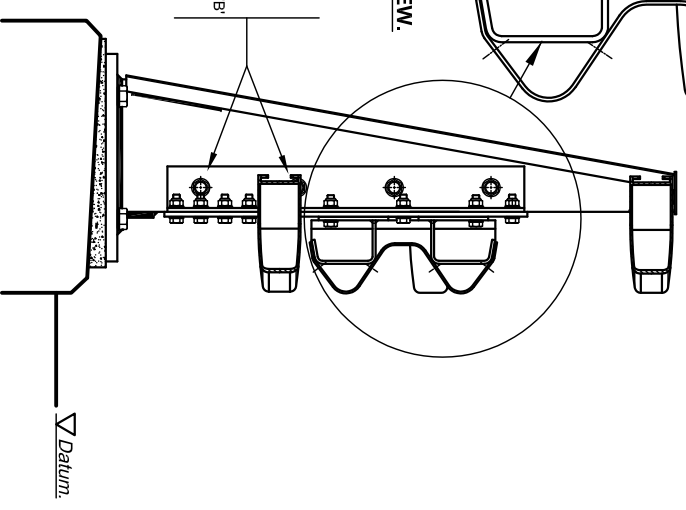
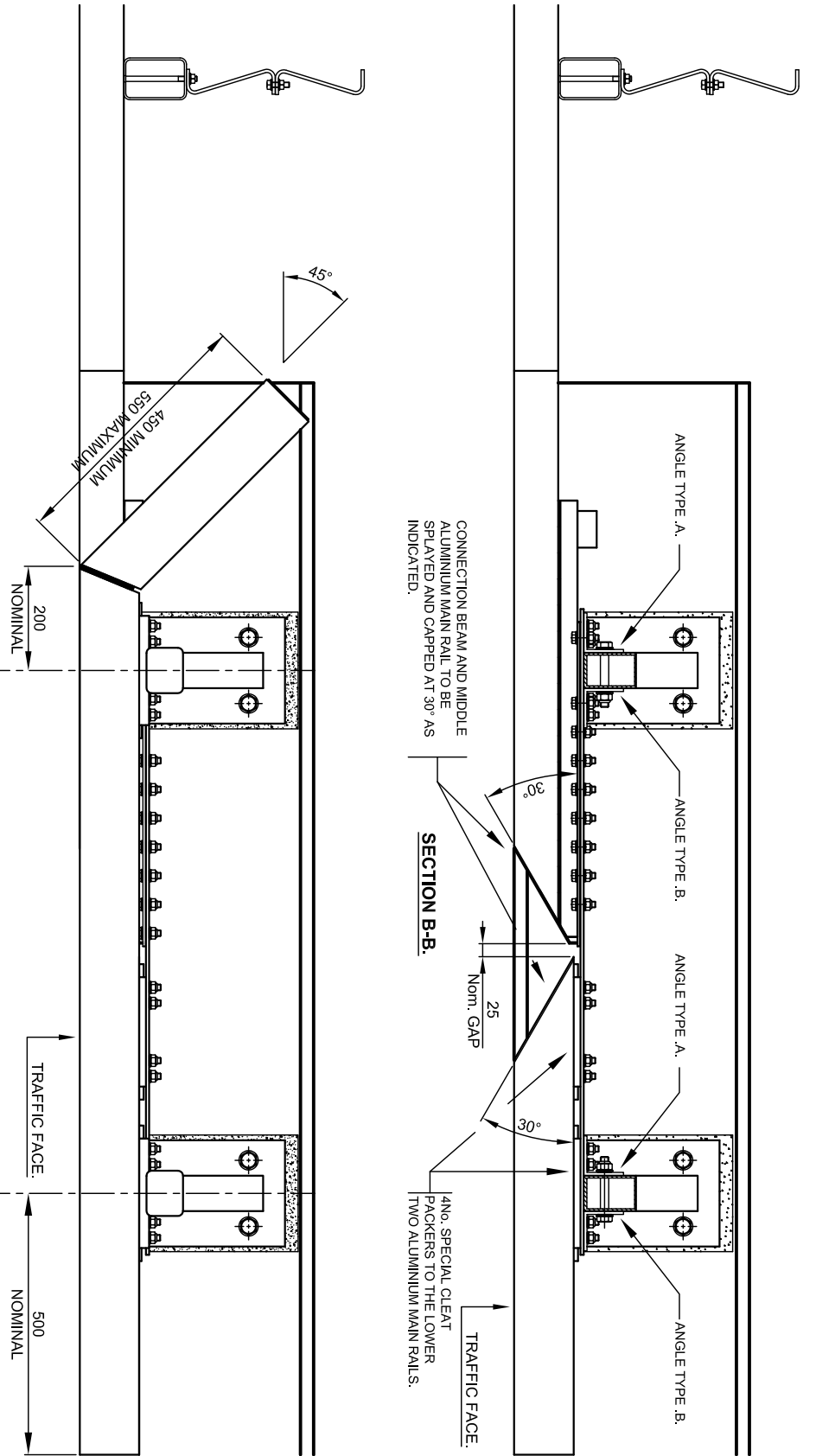


ENLARGED VIEW.



SECTION A-A.



PLAN VIEW ON TOP RAIL.

CONNECTION BEAM AND MIDDLE ALUMINIUM MAIN RAIL TO BE SPLOYED AND CAPPED AT 30° AS INDICATED.

SECTION B-B.

TRAFFIC FACE: 4 No. SPECIAL CLEAT PACKERS TO THE LOWER TWO ALUMINIUM MAIN RAILS.

NOTES:

- 1/ TO BE READ IN CONJUNCTION WITH HILL & SMITH LIMITED DRAWING NUMBERS FBGA130 AND FBGA141.
- 2/ CONNECTION TO APPLY TO ANY HEIGHT AND PARAPET TYPE FOR ATTACHMENT TO SINGLE HEIGHT SAFETY FENCE.
- 3/ UNLESS OTHERWISE STATED ALL SHEAR PLATE FIXINGS AND TRANZFLX 130 CONNECTION BEAM FIXINGS TO SHEAR PLATE ARE TO BE M12 STAINLESS STEEL BOLTS / SETSCREWS CONFORMING TO BS.EN.ISO.3506-1 GRADE A4/80 AND BS.3692. M12 STAINLESS STEEL NYLOC NUTS CONFORMING TO BS.EN.ISO.3506-2 GRADE A4 AND DIN 928. M12 STAINLESS STEEL PLAIN WASHERS CONFORMING TO BS.EN.ISO.3506 GRADE A4 OR A2 FORM 'A'.
- 4/ TRANZFLX 130 CONNECTION BEAM TO BE STEEL TO BS.EN.10025 GRADE S275. ALL TO BE HOT DIPPED GALVANISED TO BS.EN.ISO.1461 AFTER FABRICATION.
- 5/ 1mm THICK NEOPRENE GASKETS TO BE SUPPLIED BY THE PARAPET MANUFACTURER.
- 6/ REFER TO DRAWING NUMBER VGAN 500-12 FOR ADDITIONAL ITEM DETAILS.

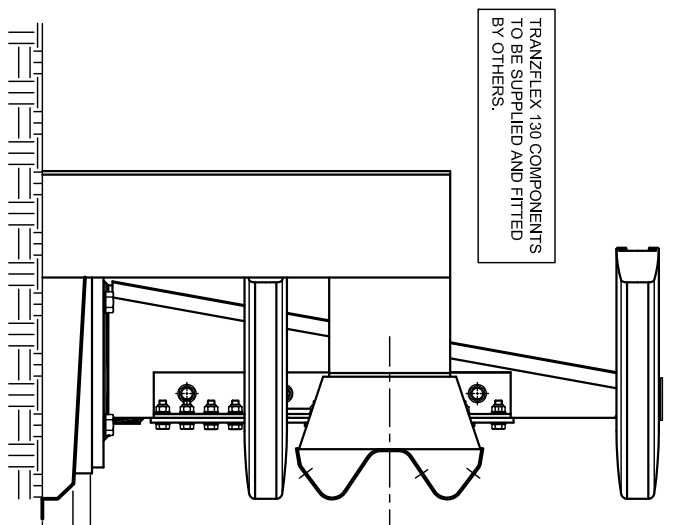


IMPORTANT.
THE TRANZFLX 130 TRANSITION SAFETY FENCE LAYOUT AND COMPONENTS TO BE LIMITED DRAWING NUMBER FBGA130.

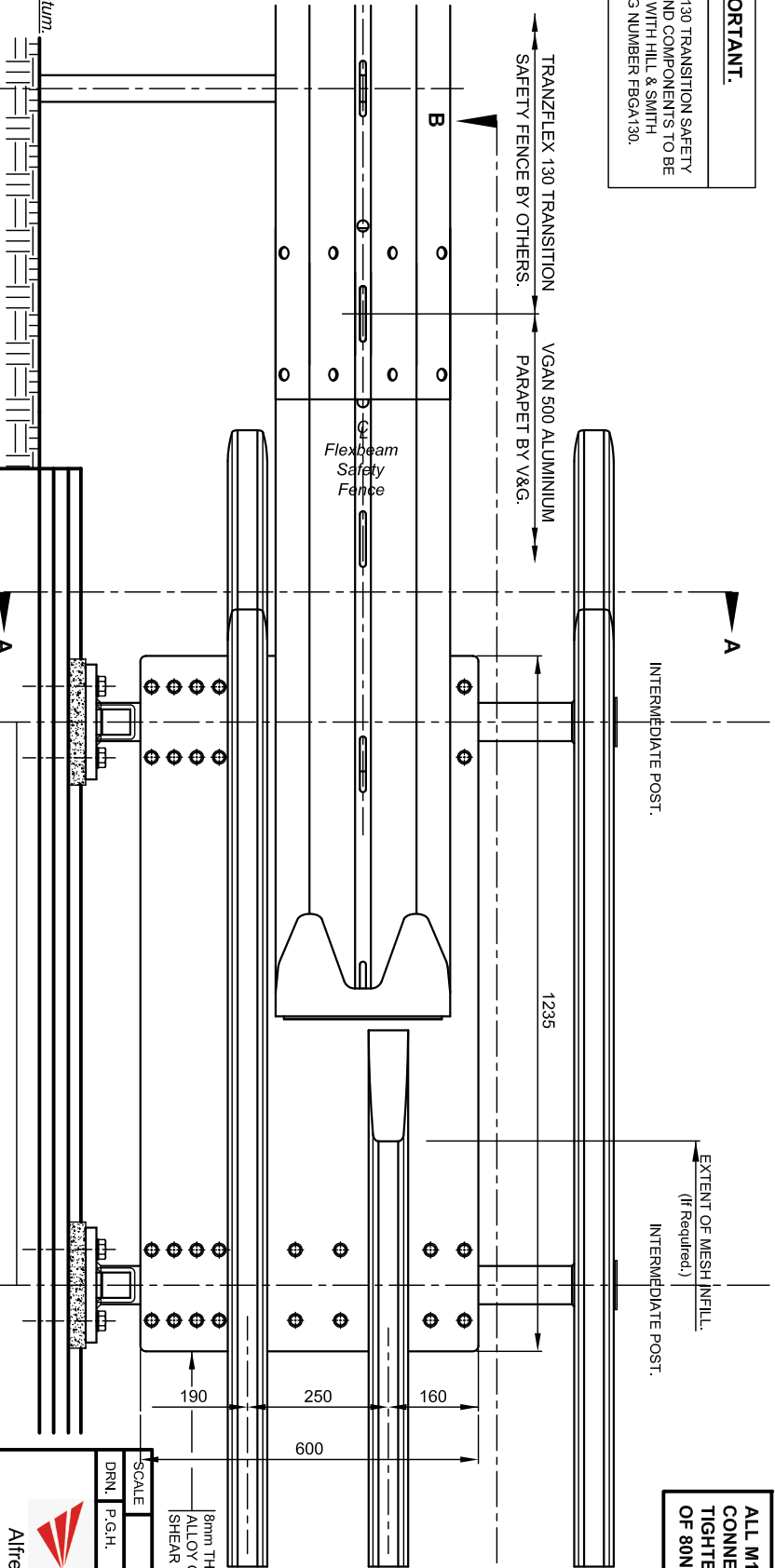
ALL M12 SHEAR PLATE CONNECTION FIXINGS TO BE TIGHTENED TO A TORQUE OF 80Nm (60 lb ft).

Rev	Date	By	Description
B	Mar 09	dvc	Minor Amendments
A	10/07	dvc	Minor Amendments

TRANZFLX 130 COMPONENTS TO BE SUPPLIED AND FITTED BY OTHERS.



ELEVATION OF SAFETY FENCE CONNECTION.



ELEVATION OF SAFETY FENCE CONNECTION.

ENDS OF MAIN RAILS TO BE PREPARED FOR JOINTS TYPE 1, 2 OR 3 AS DETAILED ON DRAWING NUMBER VGAN 500-06.

8mm THICK ALUMINIUM ALLOY GRADE 6082 T6 SHEAR PLATE CONNECTOR.

SCALE	DATE
DN	01/06/2006
P.G.H.	
CHK.	D.V.C.

THIS DRAWING TO BE USED ONLY WITH DRAWING TO BE RETURNED TO DRAWING OFFICE ON COMPLETION OF WORK.

Varley and Gulliver Ltd.
Alfred Street, Sparkbrook, Birmingham B12 8JR
Tel: 44 (0) 121 773 2441
Fax: 44 (0) 121 766 6875
Website: www.v-and-g.co.uk

TITLE	DRAWING NUMBER
STANDARD ARRANGEMENT DRAWINGS OF VGAN 500 SERIES ALUMINIUM PARAPET SYSTEM	VGAN 500 - 11 B.
SHEAR PLATE CONNECTION TO TRANZFLX 130 TRANSITION SAFETY FENCE.	