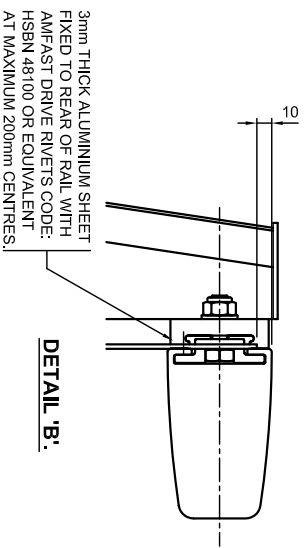


TOP OF SHEET TO BE SET A NOMINAL 10mm DOWN FROM THE TOP OF THE RAIL.



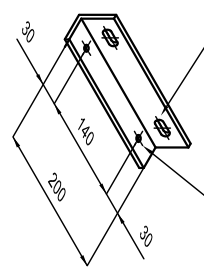
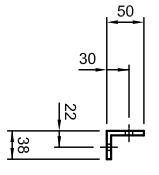
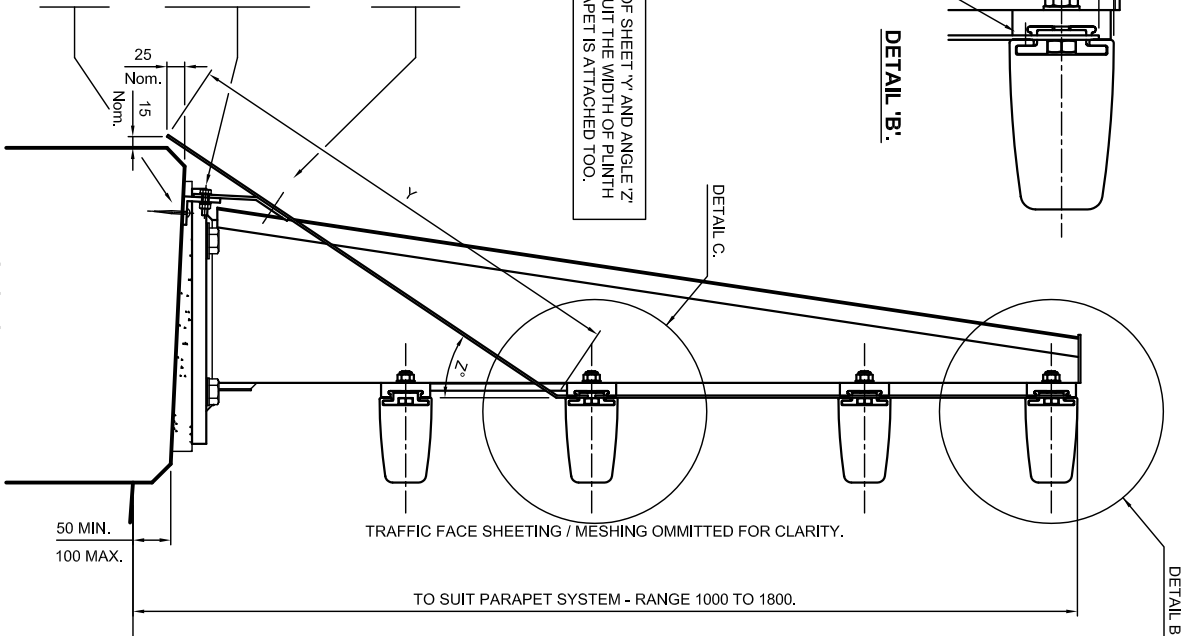
LENGTH OF SHEET 'Y' AND ANGLE 'Z' ARE TO SUIT THE WIDTH OF PLINTH THE PARAPET IS ATTACHED TOO.

SITE DRILL 4.8mm DIAMETER HOLES IN SHEET AND FOLDED SUPPORT BRACKET AND FIX TOGETHER WITH POP RIVETS REF: TEPD 656 AS/AD86 ABS OR EQUIVALENT.

SITE DRILL 10mm DIAMETER HOLES IN FOLDED SUPPORT BRACKET (AND HOLES PER BRACKET) AND FIX TO CLEATS WITH M6x30 HEXAGONAL HEAD STAINLESS STEEL SETSCREWS C/W 1No. M8 HEXAGONAL NUT, 2No. M8 PLAT WASHERS AND 1No. SPRING WASHER.

CLEAT FIXED TO CONCRETE PLINTH WITH 50mm LONG x No.14 STAINLESS STEEL ROUND HEAD WOODSCREWS C/W MASONARY PLUGS.

SECTION A-A.



50x38x6mm THICK ALUMINIUM ANGLE CLEAT. (6No. REQUIRED PER ANTI-ACCESS BAY.)

TO SUIT PARAPET SYSTEM - RANGE 1000 TO 1800.

3mm THICK ALUMINIUM SHEET FIXED TO REAR OF RAIL WITH AMFAST DRIVE RIVETS CODE: HSNB 48100 OR EQUIVALENT AT MAXIMUM 200mm CENTRES.

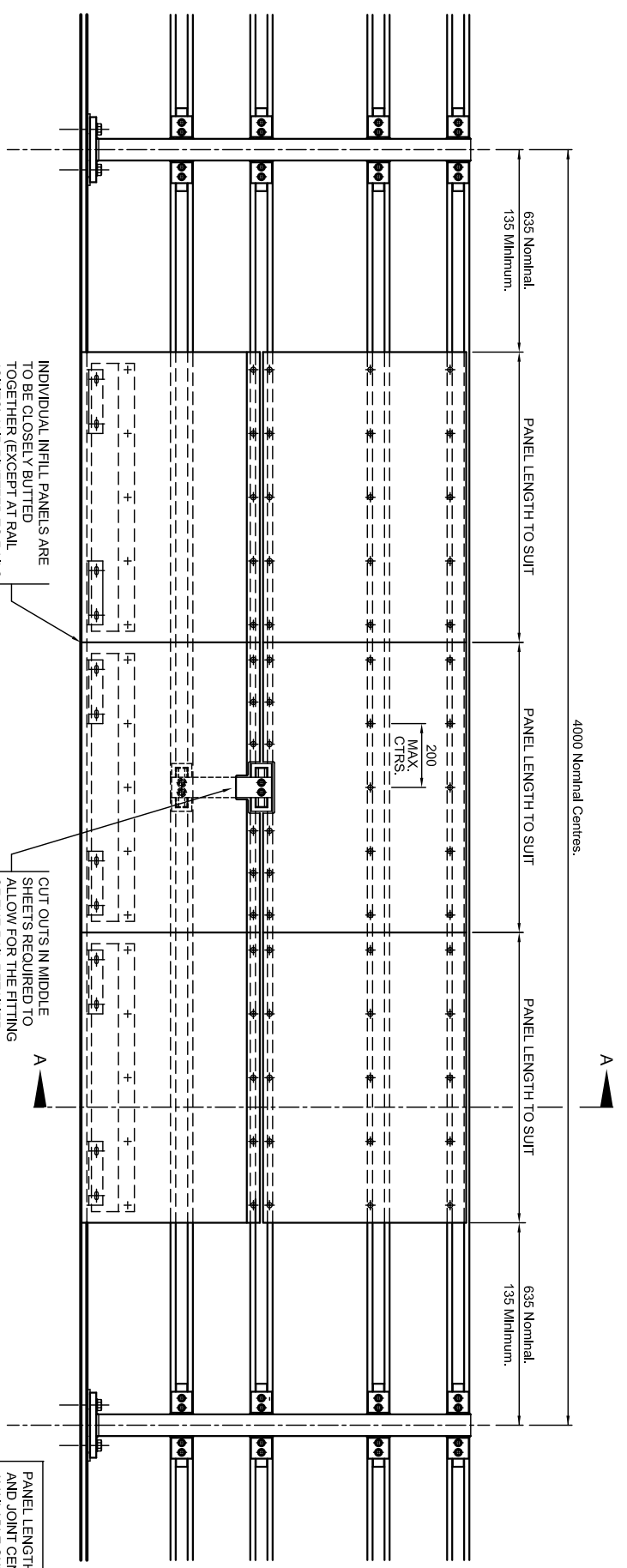
INDIVIDUAL INFILL PANELS ARE TO BE CLOSELY BUTTED TOGETHER (EXCEPT AT RAIL JOINTS) AND RIVETTED TO RAILS AS SHOWN.

TYPICAL REAR ELEVATION OF PARAPET.

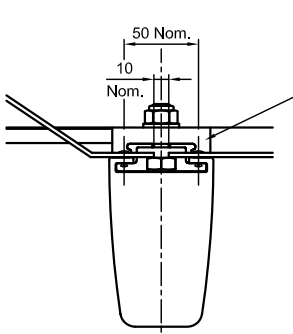
CUT OUTS IN MIDDLE SHEETS REQUIRED TO ALLOW FOR THE FITTING OF THE RAIL RETAINER STRAP AT MID BAY.

WHEN VERTICAL CURVES ARE ENCOUNTERED THE MAXIMUM ALLOWABLE GAP BETWEEN INFILL SHEETS SHALL BE 3.0mm.

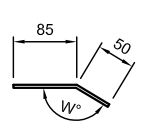
PANEL LENGTHS TO SUIT POST AND JOINT CENTRES AND AVAILABLE SHEET SIZES.



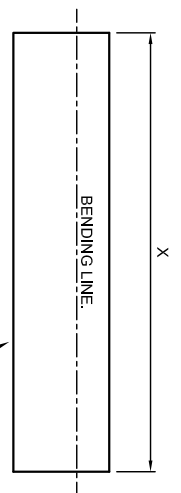
DETAIL 'C.'



HOLES FOR ATTACHMENT TO CLEAT AND ANTI-ACCESS SHEETS ARE TO BE DRILLED ON SITE.



END VIEW.



ELEVATION.

FOLDED SUPPORT BRACKET.

4mm THICK ALUMINIUM FOLDED SUPPORT BRACKET. LENGTH 'X' AND ANGLE 'W' ARE TO SUIT THE DESIGN OF PLINTH.

NOTES:

- FOR DETAILS OF PARAPETS REFER TO DRAWING NUMBER VGAN 500 - 01 TO VGAN 500 - 05.
- THE POSITION AND EXTENT OF ANTI-ACCESS PANELS SHALL BE IN ACCORDANCE WITH THE ROAD AUTHORITIES REQUIREMENTS.
- ANTI-ACCESS SHEET TO BE 3.0mm THICK ALUMINIUM ALLOY AW1050A WITH A SELF COLOUR FINISH. ALTERNATIVE FINISHES TO PRODUCE A NON-REFLECTIVE SURFACE CAN BE PROVIDED.
- UNLESS STATED OTHERWISE ALL OTHER ALUMINIUM SECTIONS ARE TO BE ALUMINIUM ALLOY AW6082-T6.

Rev/	Date	By	Description
A	02/09	CJB	Hole dia. in angle cleat revised to 8mm.

MANUFACTURING TOLERANCES:

TOLERANCES AS SHOWN UNLESS STATED OTHERWISE.	
DIMENSIONS:	TOLERANCES:
GREATER THAN 1000mm.	+ 2mm
LESS THAN 1000mm.	+ 1mm
ANGULAR DIMENSIONS:	+ 0°15'

NOTE: ALL ACCUMULATIVE TOLERANCES ARE TO BE CONTAINED WITHIN THE OVERALL TOLERANCE.

SITE ERECTION TOLERANCES:
WILL VARY TO SUIT SITE CONDITIONS.

ALL STANDARDS QUOTED ARE DEEMED CURRENT AT THE DATE THE DRAWING IS ISSUED FOR APPROVAL, UNLESS OTHERWISE STATED.

THIS DRAWING TO BE USED ONLY WITH W/O No. []
DRAWING TO BE RETURNED TO DRAWING OFFICE ON COMPLETION OF WORK.

SCALE	DATE
P.G.H.	01/06/2006

DRN	P.G.H.	CHK	D.V.C.

Varley and Gulliver Ltd.
Alfred Street, Sparkbrook, Birmingham B12 8JR
Tel: 44 (0) 121 773 2441
Fax: 44 (0) 121 766 6875
Website: www.v-and-g.co.uk

TITLE	DRAWING NUMBER
STANDARD ARRANGEMENT DRAWINGS OF VGAN 500 SERIES ALUMINIUM PARAPET SYSTEM. ANTI ACCESS PANEL DETAILS.	VGAN 500 - 10.A.