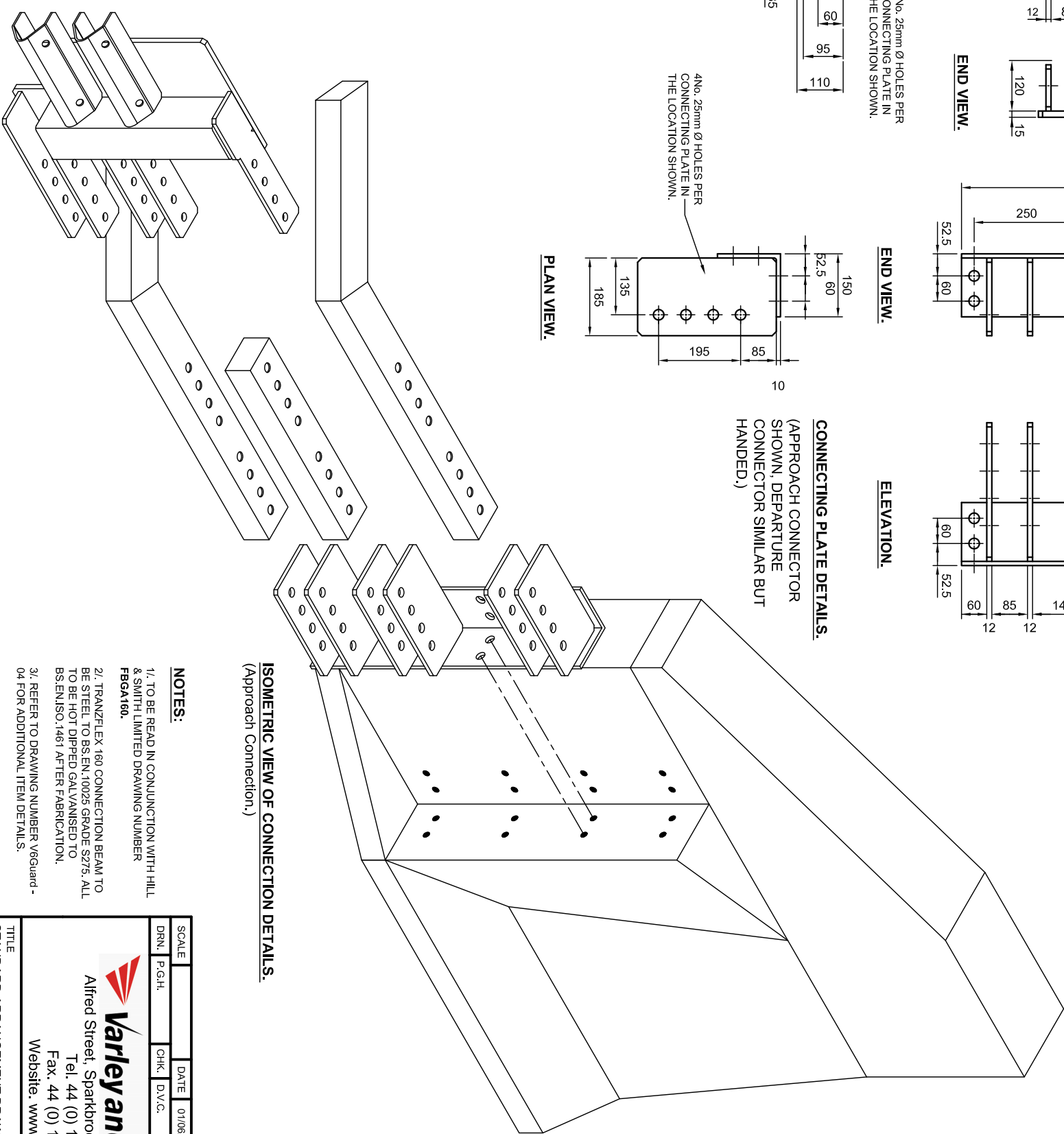
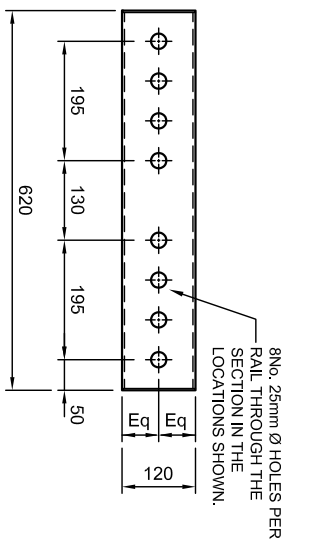
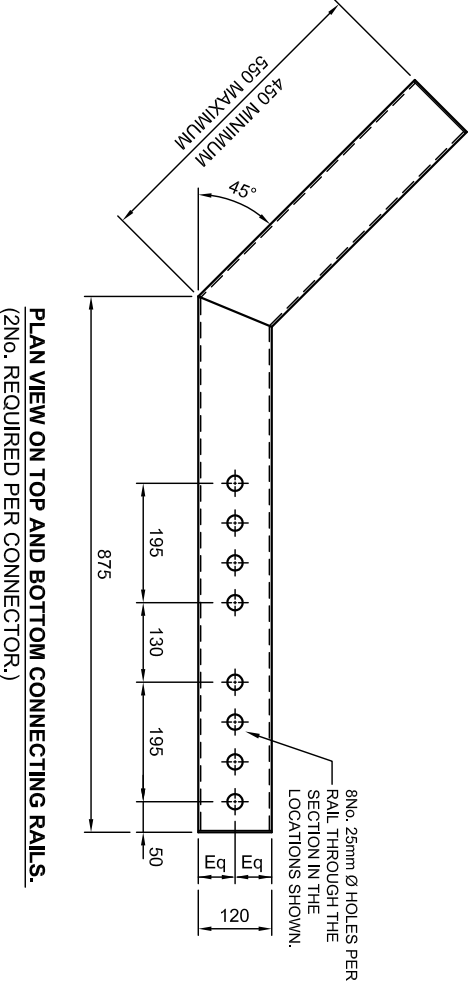
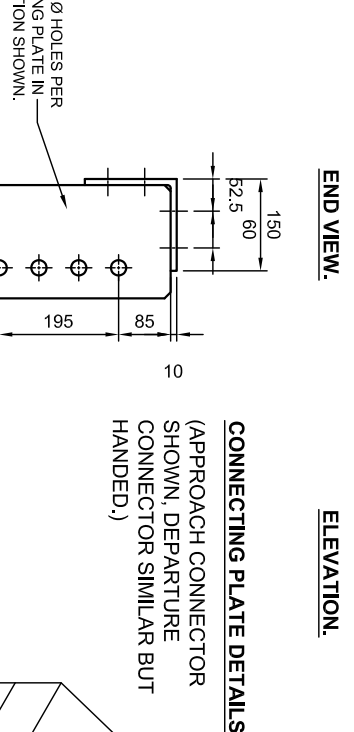
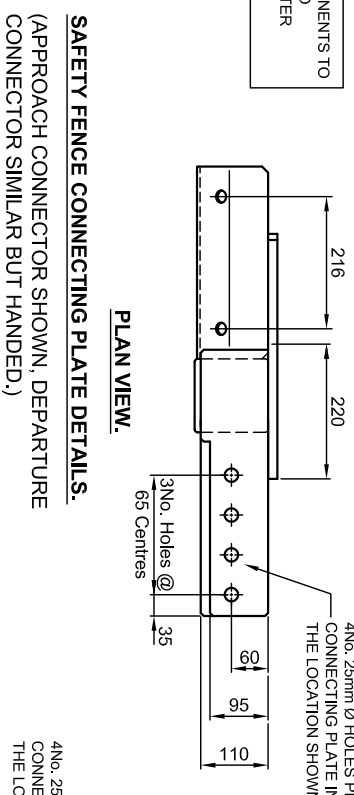


MATERIAL SPECIFICATION.			
ITEM	SPECIFICATION	ITEM	SPECIFICATION
CONNECTOR PLATES.	ALL STEEL SECTIONS ARE TO BE IN ACCORDANCE WITH BS EN 10025-1, BS EN 10025-2, BS EN 10219-1, BS EN 10219-2.	BOLTS.	ALL BOLTS / SETSCREWS TO BE GALVANISED STEEL TO CONFORM TO BS 3692 AND BS EN ISO 4014 AND BS EN ISO 4017 GRADE 8.8.
CONNECTOR RHS.	CONNECTOR PLATES AND ANGLE TO BE GRADE S275JO, CONNECTION RAILS AND VERTICAL CONNECTOR SECTION TO BE S275L2H.	NUTS.	ALL NUTS TO BE GALVANISED STEEL TO CONFORM TO BS 3692 AND BS EN ISO 4032 GRADE 8.
CONNECTION ANGLE.		WASHERS.	GALVANISED PLAIN WASHERS TO BE M20x50 o/dia. x 4mm THICK AND M20 FORM 'E' CONFORMING TO BS 4320. GALVANISED SPRING WASHERS TO BE TYPE 'A' TO BS 4464.



ISOMETRIC VIEW OF CONNECTION DETAILS.
(Approach Connection.)

NOTES:
1/1. TO BE READ IN CONJUNCTION WITH HILL & SMITH LIMITED DRAWING NUMBER FBGA160.
2/1. TRANZFLX 160 CONNECTION BEAM TO BE STEEL TO BS EN 10025 GRADE S275. ALL TO BE HOT DIPPED GALVANISED TO BS EN ISO 1461 AFTER FABRICATION.
3/1. REFER TO DRAWING NUMBER V6Guard-04 FOR ADDITIONAL ITEM DETAILS.

ALL DIMENSIONS IN MM.
V6Guard PARAPET SYSTEMS ARE COVERED BY DESIGN RIGHTS AND PATENT PENDING.

SCALE	DATE	01/06/2007
DRAWN P.G.H.	CHECKED D.V.C.	

Varley and Gulliver Ltd.
Alfred Street, Sparkbrook, Birmingham B12 8JR
Tel: 44 (0) 121 773 2441
Fax: 44 (0) 121 766 6875
Website: www.v-and-g.co.uk

TITLE: STANDARD ARRANGEMENT DRAWINGS OF V6Guard SERIES STEEL PARAPET SYSTEM. CONNECTION TO TRANZFLX 160 TRANSITION SAFETY FENCE.

DRAWING NUMBER: V6Guard - 05-01.

Rev	Date	By	Description
01	Apr '13	PQH	MINOR AMENDMENTS.

MANUFACTURING TOLERANCES.

TOLERANCES AS SHOWN UNLESS STATED OTHERWISE.	
DIMENSIONS:	TOLERANCES:
GREATER THAN 1000mm.	+ 2mm
LESS THAN 1000mm.	+ 1mm
ANGULAR DIMENSIONS:	+ 0°15'

NOTE: ALL ACCUMULATIVE TOLERANCES ARE TO BE CONTAINED WITHIN THE OVERALL TOLERANCE.

SITE ERECTION TOLERANCES.

WILL VARY TO SUIT SITE CONDITIONS.

ALL STANDARDS QUOTED ARE DEEMED CURRENT AT THE DATE THE DRAWING IS ISSUED FOR APPROVAL, UNLESS OTHERWISE STATED.

THIS DRAWING TO BE USED ONLY WITH W/O No. DRAWING TO BE RETURNED TO DRAWING OFFICE ON COMPLETION OF WORK.