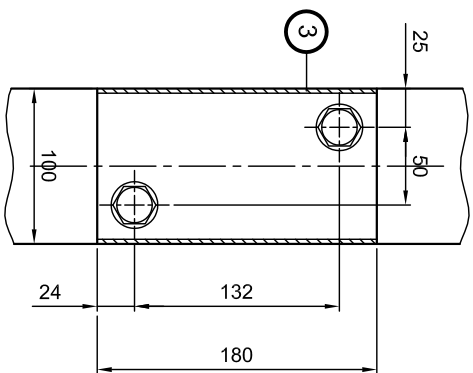
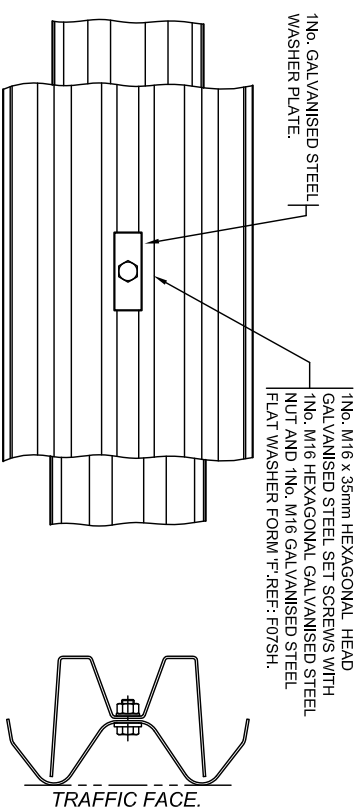


GENERAL NOTES.

1/ ALL GALVANISED STEEL FIXINGS TO BE TIGHTENED TO A TORQUE BETWEEN 60 AND 80Nm EXCEPT NYLOC NUTS WHICH SHOULD BE TIGHTENED TO A TORQUE BETWEEN 30 AND 40Nm.



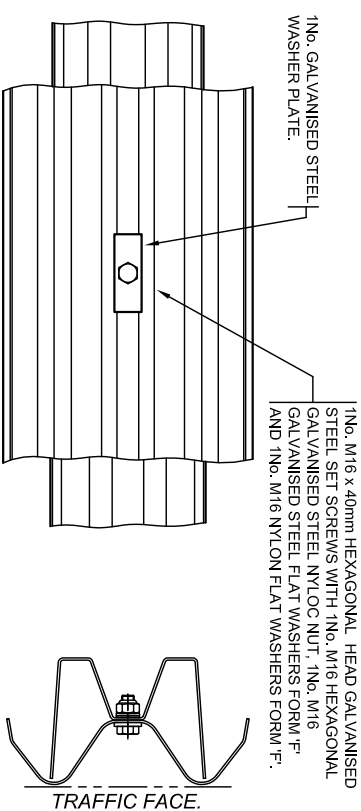
SECTION B-B.



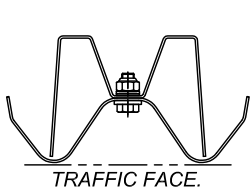
TRAFFIC FACE VIEW ON FRONT BEAM MID BAY STANDARD CONNECTION.



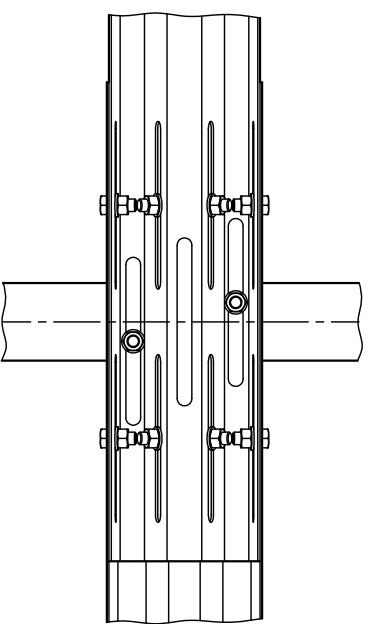
SIDE ELEVATION.



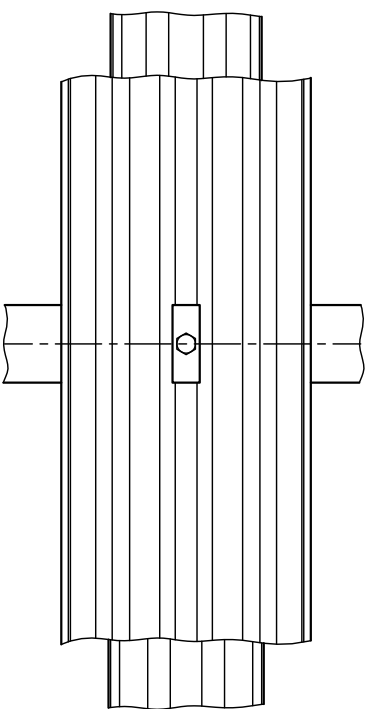
TRAFFIC FACE VIEW ON FRONT BEAM MID BAY EXPANSION CONNECTION.



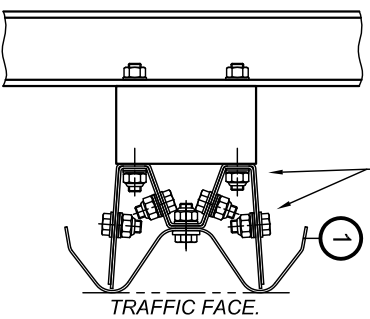
SIDE ELEVATION.



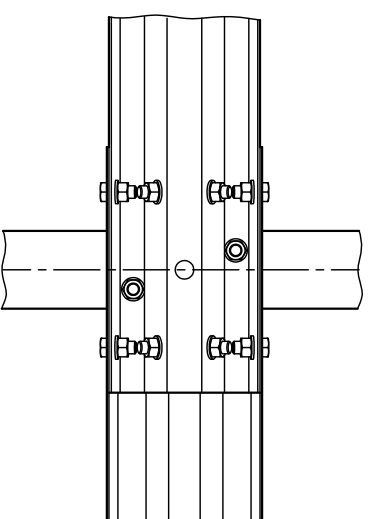
TRAFFIC FACE VIEW ON REAR BEAM EXPANSION LAP CONNECTION.
(FRONT BEAM NOT SHOWN FOR CLARITY.)



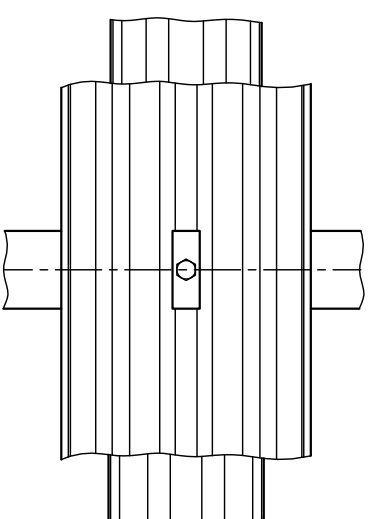
TRAFFIC FACE VIEW ON REAR BEAM STANDARD LAP CONNECTION.



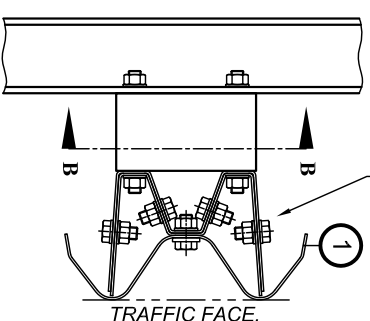
SIDE ELEVATION.



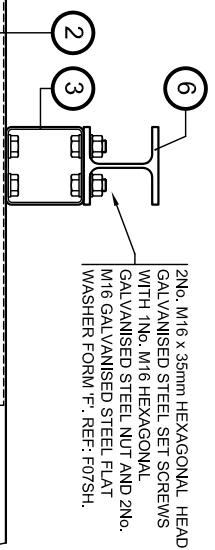
TRAFFIC FACE VIEW ON REAR BEAM STANDARD LAP CONNECTION.
(FRONT BEAM BEAM NOT SHOWN FOR CLARITY.)



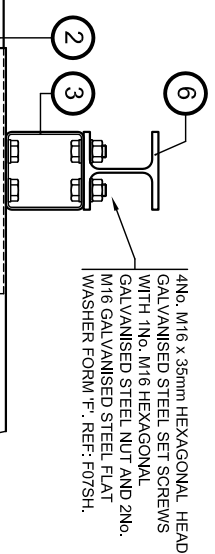
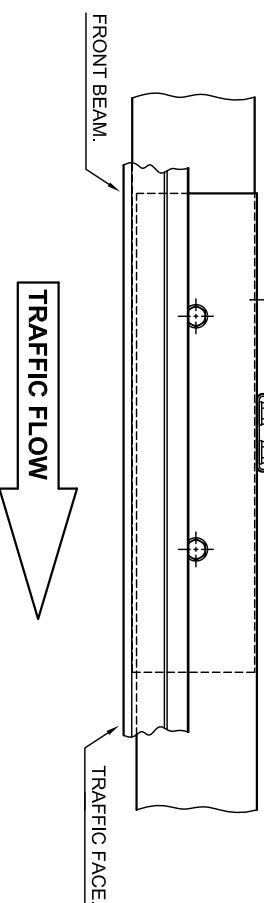
TRAFFIC FACE VIEW ON REAR BEAM EXPANSION LAP CONNECTION.



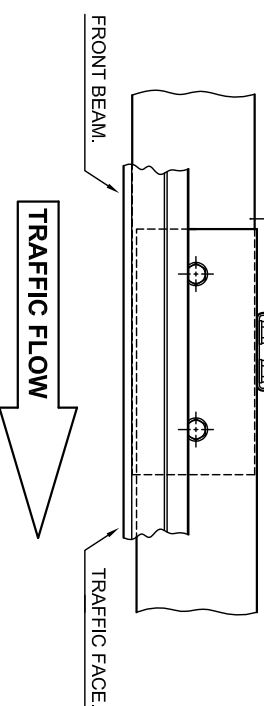
SIDE ELEVATION.



PLAN VIEW ON REAR BEAM EXPANSION LAP CONNECTION.



PLAN VIEW ON REAR BEAM STANDARD LAP CONNECTION.



SECTION SCHEDULE

1	MAIN BEAM SECTION 512x55x3	Rev/	Date	By	Description
2	BACKING BEAM SECTION 200x155x3	MANUFACTURING TOLERANCES:			
3	SPACER SECTION 100x100x3 SHS	TOLERANCES AS SHOWN UNLESS STATED OTHERWISE.			
4	TOP RAIL SECTION 140x60 CHANNEL	DIMENSIONS: TOLERANCES: GREATER THAN ± 2mm			
5	INTER RAIL SECTION 60x40 CHANNEL	LESS THAN ± 1mm			
6	POST SECTION HE 100.A	ANGULAR DIMENSIONS: ± 0°15'			

NOTE: ALL ACCUMULATIVE TOLERANCES ARE TO BE CONTAINED WITHIN THE OVERALL TOLERANCE.

SITE ERECTION TOLERANCES:

WILL VARY TO SUIT SITE CONDITIONS.

ALL STANDARDS QUOTED ARE DEEMED CURRENT AT THE DATE THE DRAWING IS ISSUED FOR APPROVAL, UNLESS OTHERWISE STATED.

THIS DRAWING TO BE USED ONLY WITH:

W/O No. _____

DRAWING TO BE RETURNED TO DRAWING OFFICE ON COMPLETION OF WORK.

SCALE	DATE	27/01/2011
DRN	P.G.H.	CHK.
		D.V.C.

Varley and Gulliver Ltd.
 Alfred Street, Sparkbrook, Birmingham B12 8JR
 Tel: 44 (0) 121 773 2441
 Fax: 44 (0) 121 766 6875
 Website: www.v-and-g.co.uk

TITLE: STANDARD ARRANGEMENT DRAWINGS OF VarleyGUARD SERIES STEEL PARAPET SYSTEM.

DRAWING NUMBER: V2G - 04.