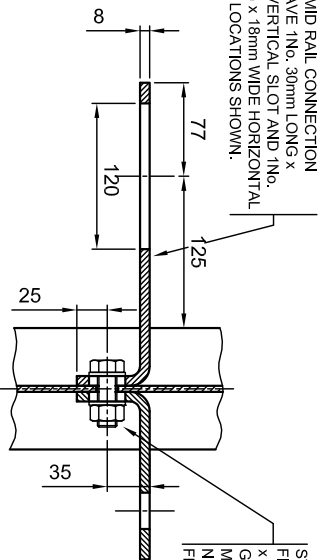


EXPANSION MID RAIL CONNECTION CLEAT TO HAVE 1No. 30mm LONG x 18mm WIDE VERTICAL SLOT AND 1No. 120mm LONG x 18mm WIDE HORIZONTAL SLOT IN THE LOCATIONS SHOWN.

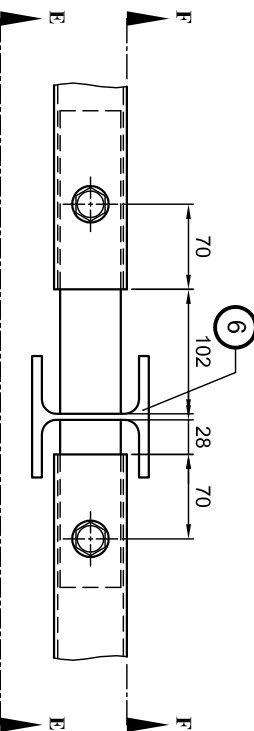


STANDARD MID RAIL CONNECTION CLEAT FIXED TO THE POST WEB WITH 1No. M16 x 45mm LONG HEXAGONAL HEAD GALVANISED STEEL SET SCREWS WITH 1No. M16 GALVANISED STEEL SET NUT AND 2No. M16 GALVANISED STEEL FLAT WASHER FORM 'F'.

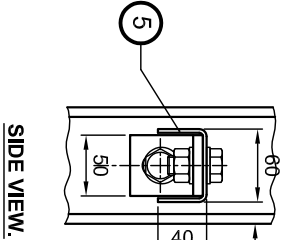
VIEW ON F.F.

1No. M16 x 35mm LONG HEXAGONAL HEAD GALVANISED STEEL BOLTS WITH M16 HEXAGONAL STEEL GALVANISED NUT AND 2No. M16 GALVANISED STEEL FLAT WASHER FORM 'F'. REF.: F07HS.

VIEW ON E.E.



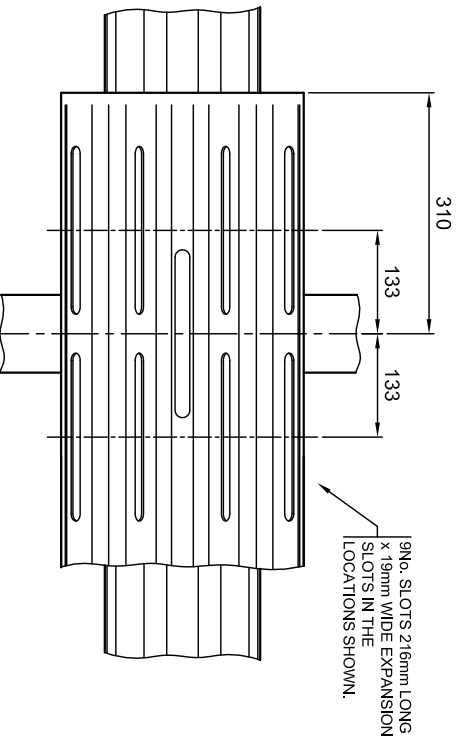
SIDE VIEW.



PLAN VIEW ON MID RAIL RIGHT HAND EXPANSION CONNECTION. (LEFT HAND EXPANSION CONNECTION SIMILAR BUT HANDED.)

GENERAL NOTES.

1/ ALL GALVANISED STEEL FIXINGS TO BE TIGHTENED TO A TORQUE BETWEEN 60 AND 80Nm EXCEPT NYLOC NUTS WHICH SHOULD BE TIGHTENED TO A TORQUE BETWEEN 30 AND 40Nm.



TRAFFIC FACE VIEW ON FRONT BEAM EXPANSION LAP CONNECTION. (FRONT OVERLAPPING BEAM NOT SHOWN FOR CLARITY.)

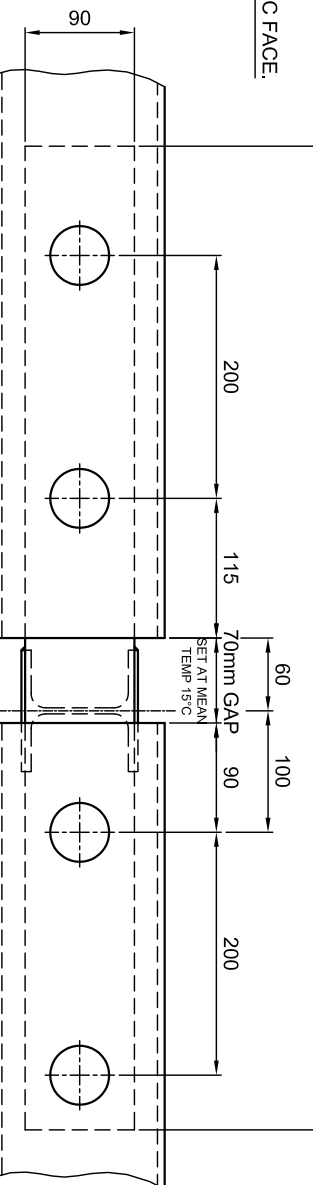
SQUARE HOLES THROUGH TOP RAIL SECTION FOR M20 JOINT BOLTS.

120mm LONG x 22mm WIDE SLOTS IN THE CONNECTION PLATE SECTION FOR EXPANSION JOINT BOLTS.

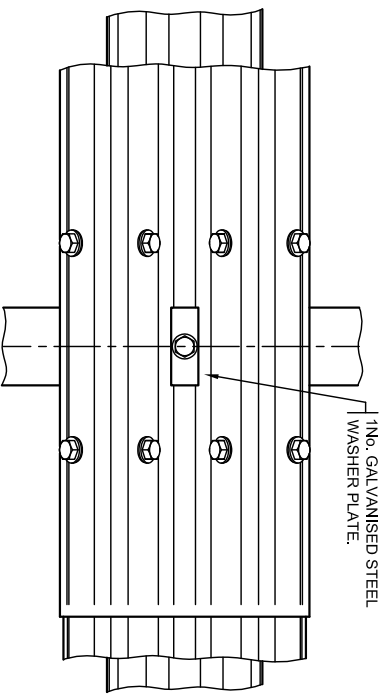
SQUARE HOLES THROUGH TOP RAIL SECTION FOR M20 JOINT BOLTS.

30mm LONG x 22mm WIDE SLOTS IN THE CONNECTION PLATE SECTION FOR STANDARD JOINT BOLTS.

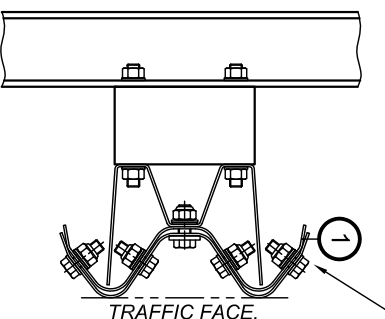
SECTION A-A.



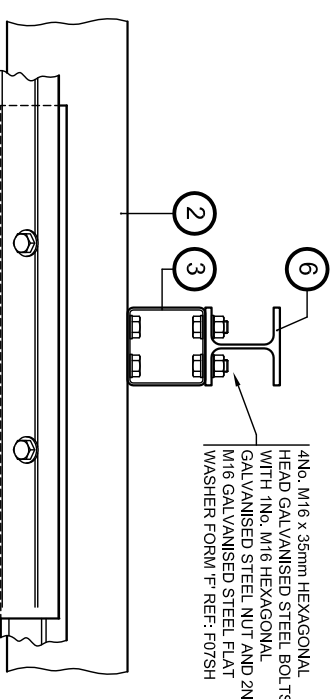
PLAN VIEW ON TOP RAIL RIGHT HAND EXPANSION JOINT TYPE 2. (LEFT HAND EXPANSION CONNECTION SIMILAR BUT HANDED.)



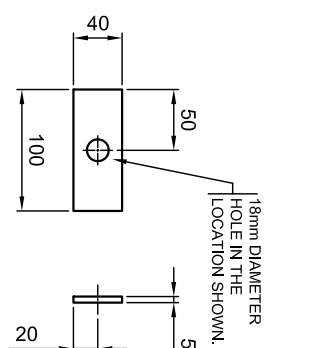
SIDE ELEVATION.



TRAFFIC FACE VIEW ON FRONT BEAM EXPANSION LAP CONNECTION.



ELEVATION.

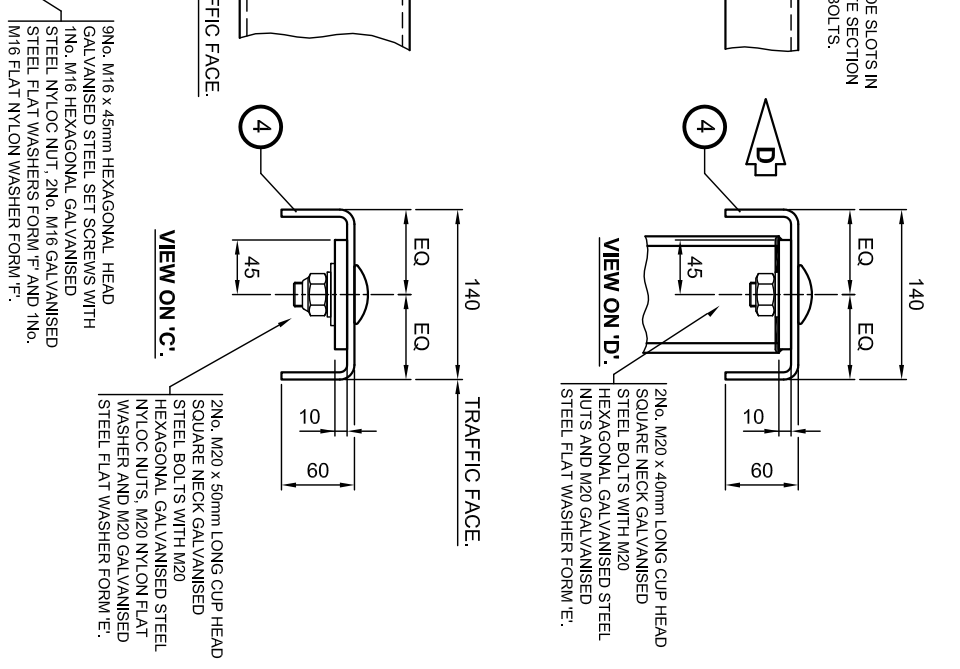


DETAILS OF WASHER PLATE.

PLAN VIEW ON FRONT BEAM EXPANSION LAP CONNECTION.



ALL DIMENSIONS IN MM. VARELYGUARD PARAPET SYSTEM ARE COVERED BY DESIGN RIGHTS AND PATENT PENDING.



VIEW ON C.C.

2No. M20 x 50mm LONG CUP HEAD SQUARE NECK GALVANISED STEEL BOLTS WITH M20 HEXAGONAL GALVANISED STEEL NUTS, M20 NYLON FLAT WASHER AND M20 GALVANISED STEEL FLAT WASHER FORM 'E'.

9No. M16 x 45mm HEXAGONAL HEAD GALVANISED STEEL SET SCREWS WITH 1No. M16 HEXAGONAL GALVANISED STEEL NYLOC NUT, 2No. M16 GALVANISED STEEL FLAT WASHERS FORM 'F' AND 1No. M16 FLAT NYLON WASHER FORM 'F'.

Rev	Date	By	Description

SECTION	DESCRIPTION	SCALE	DATE	CHK.	D.V.C.
1	MAIN BEAM SECTION 512x55x3	1:1	27/01/2011		
2	BACKING BEAM SECTION 200x155x3	1:1			
3	SPACER SECTION 100x100x3 SHS	1:1			
4	TOP RAIL SECTION 100x60 CHANNEL	1:1			
5	INTER RAIL SECTION 60x40 CHANNEL	1:1			
6	POST SECTION HE 100/A	1:1			

NOTE: ALL ACCUMULATIVE TOLERANCES ARE TO BE CONTAINED WITHIN THE OVERALL TOLERANCE.

SITE ERECTION TOLERANCES WILL VARY TO SUIT SITE CONDITIONS.

ALL STANDARDS QUOTED ARE DEEMED CURRENT AT THE DATE THE DRAWING IS ISSUED FOR APPROVAL, UNLESS OTHERWISE STATED.

THIS DRAWING TO BE USED ONLY WITH W/O No. [ ]

DRAWING TO BE RETURNED TO DRAWING OFFICE ON COMPLETION OF WORK.

**Varley and Gulliver Ltd.**  
 Alfred Street, Sparkbrook, Birmingham B12 8JR  
 Tel: 44 (0) 121 773 2441  
 Fax: 44 (0) 121 766 6875  
 Website: www.v-and-g.co.uk

STANDARD ARRANGEMENT DRAWINGS OF VARELYGUARD SERIES STEEL PARAPET SYSTEM.

DRAWING NUMBER: V2G - 03.